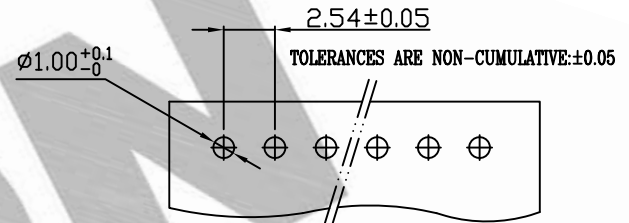
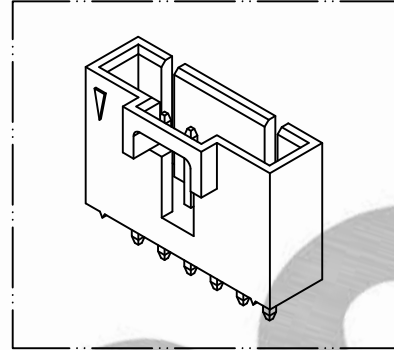
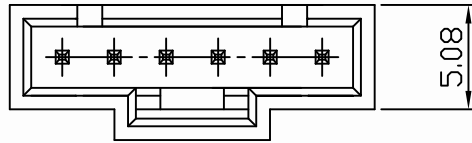
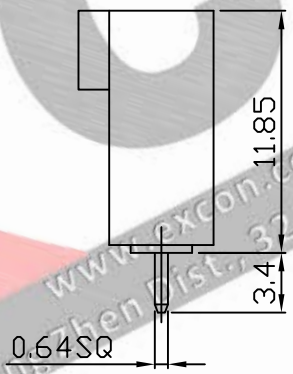
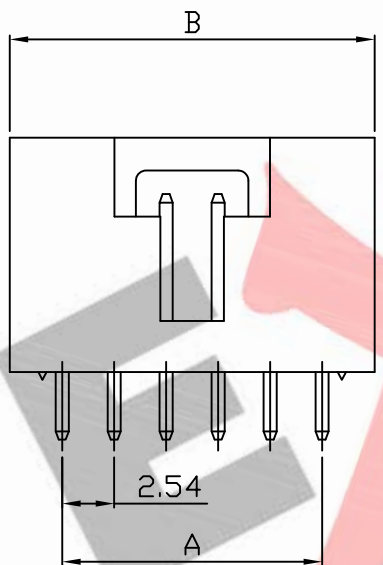


PART NO. 2545xxWV003
 DWG NO. C2545WV



RECOMMENDED PCB LAYOUT
 (PCB THK=1.0~1.6)



Dimensional & Ordering Information:

Part No.	Circuits	Dim A	Dim B
254502WV003	2	2.54	7.62
254503WV003	3	5.08	10.16
254504WV003	4	7.62	12.70
254505WV003	5	10.16	15.24
254506WV003	6	12.70	17.78
254507WV003	7	15.24	20.32
254508WV003	8	17.78	22.86
254509WV003	9	20.32	25.40
254510WV003	10	22.86	27.94
254511WV003	11	25.40	30.48
254512WV003	12	27.94	33.02

NOTE:

1. Wafer Material: Nylon-66 UL94V-0
Pin/Pos Material: brass bronze.
2. Plated: Gold flash
3. Insulation resistance: 1000MΩ min.
4. Withstand voltage: 1000V AC/minute.
5. Current rating: 3A AC/DC.
6. Voltage rating: 250V AC/DC

REV.				REVISION		DIS	DATE	UNLESS OTHERWISE SPECIFIED TOLERANCES 3 PLACE ±0.5 ±0.10 2 PLACE ±1.5 ±0.25 1 PLACE ±2.0 ±0.50 ANGLE DIM
SCALE	REV.	PAGE:	UNIT	mm		DWG NO:		
3/1	A	1	THIRD ANGLE PROJECTION			C2545WV		

EXCON
EXCON TECHNOLOGY COMPANY

PART.NO
 2545xxWV003

F
E
D
C
B
A

F
E
D
C
B
A