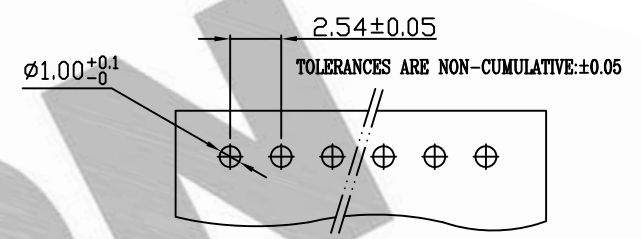
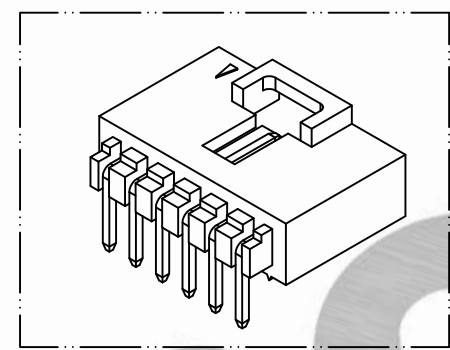
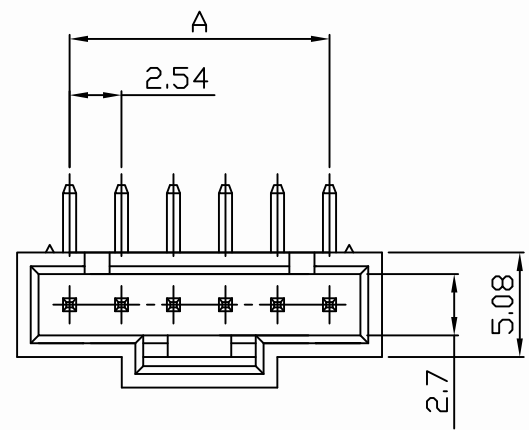
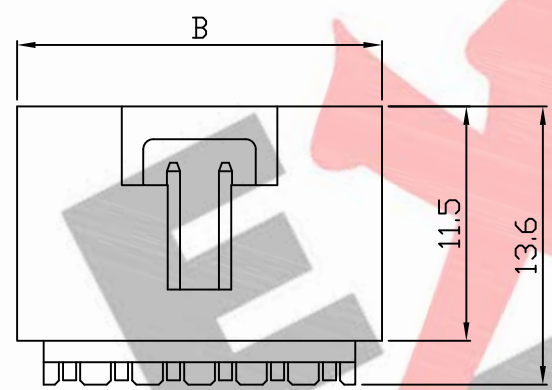


PART NO. 2545xxWR003  
 DWG NO. C2545WR



RECOMMENDED PCB LAYOUT  
 (PCB THK=1.0~1.6)



Dimensional & Ordering Information:

Part No.	Circuits	Dim A	Dim B
254502WR003	2	2.54	7.62
254503WR003	3	5.08	10.16
254504WR003	4	7.62	12.70
254505WR003	5	10.16	15.24
254506WR003	6	12.70	17.78
254507WR003	7	15.24	20.32
254508WR003	8	17.78	22.86
254509WR003	9	20.32	25.40
254510WR003	10	22.86	27.94
254511WR003	11	25.40	30.48
254512WR003	12	27.94	33.02

NOTE:

1. Wafer Material: Nylon-66 UL94V-0  
Pin/Pos Material: brass bronze.
2. Plated: Gold flash
3. Insulation resistance: 1000MΩ min.
4. Withstand voltage: 1000V AC/minute.
5. Current rating: 3A AC/DC.
6. Voltage rating: 250V AC/DC

UNLESS OTHERWISE SPECIFIED TOLERANCES			
3 PLACE ±0.5 ±0.10			
2 PLACE ±1.5 ±0.25			
1 PLACE ±2.0 ±0.50			
ANGLE DIM			
REV.	REVISION		DIS DATE
SCALE	REV.	PAGE:	UNIT mm
3/1	A	1	THIRD ANGLE PROJECTION

**EXCON**  
 EXCON TECHNOLOGY COMPANY

PART.NO  
 2545xxWR003