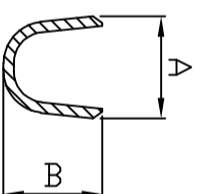
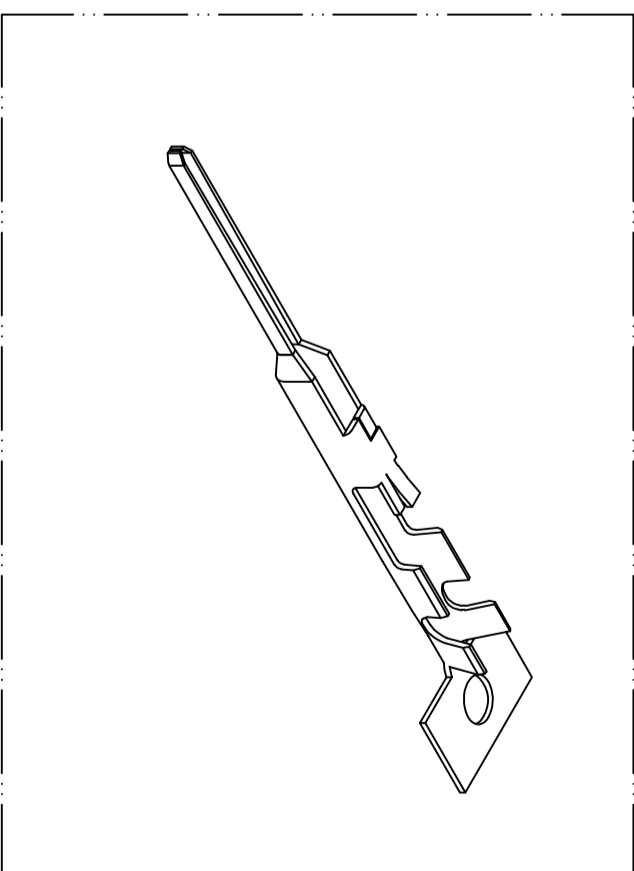
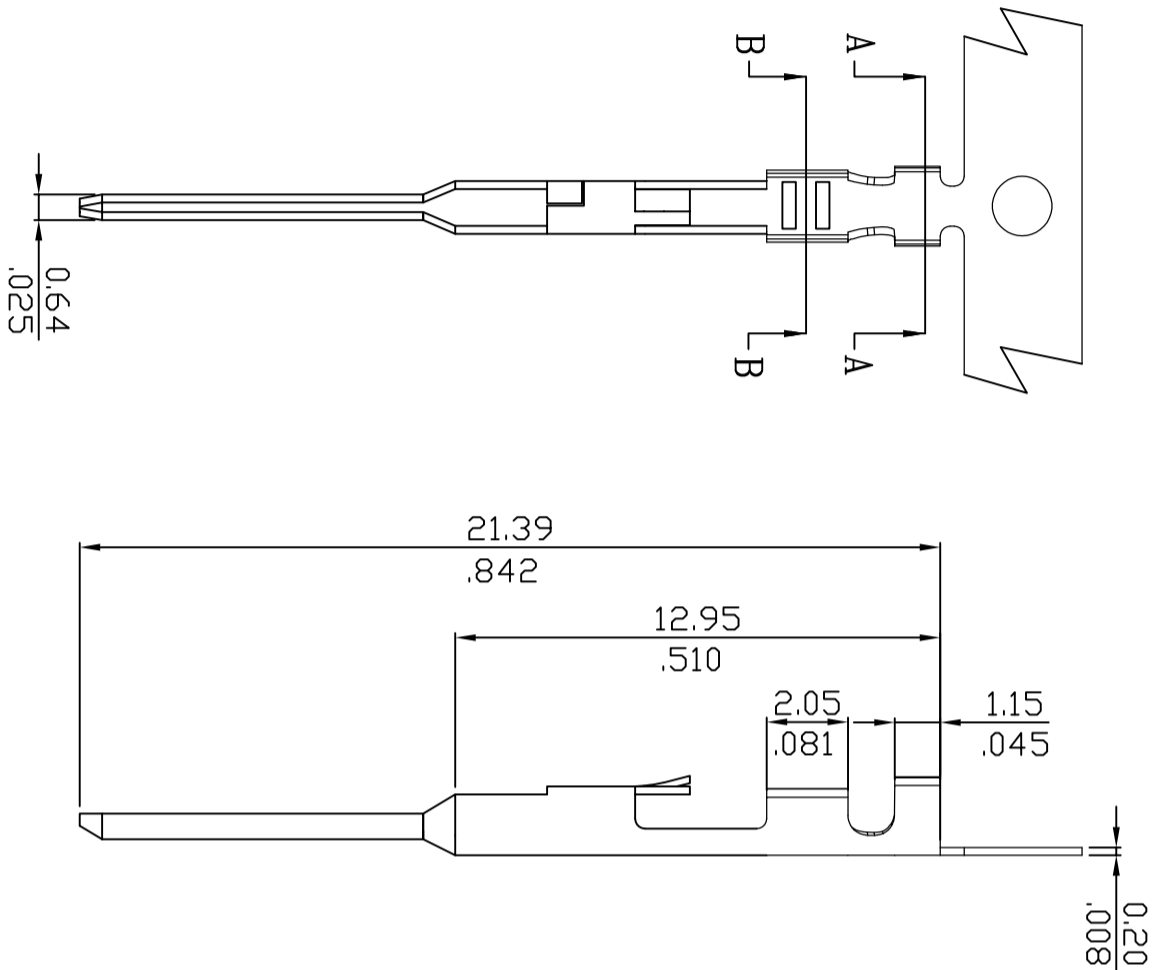
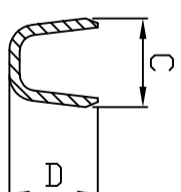


PART NO.
254500TA301
DWR NO.
C2545TA



SEC A-A



SEC B-B

NOTE:

1. Terminal Material: phosphor bronze
2. Plated: Tin plated 50u" min.
3. Applicable wires: AWG#28~#24
4. Insulation O.D.: 1.2~1.7mm
5. Q'ty / reel: 15,000 PCS

| REV. | REVISION | UNIT | DIS | DATE | UNLESS OTHERWISE SPECIFIED TOLERANCES |
|-------|----------|------|------------------------|------|---|
| 3/1 | A | 1 | | | 3 PLACE ±0.5 ±0.10 2 PLACE ±1.5 ±0.25 1 PLACE ±2.0 ±0.50 ANGLE DIM |
| SCALE | REV. | PAGE | UNIT | DIS | DATE |
| 3/1 | A | 1 | THIRD ANGLE PROJECTION | | |

DWG NO:

C2545TA

PART NO

254500TA301

EXCON

EXCON TECHNOLOGY COMPANY