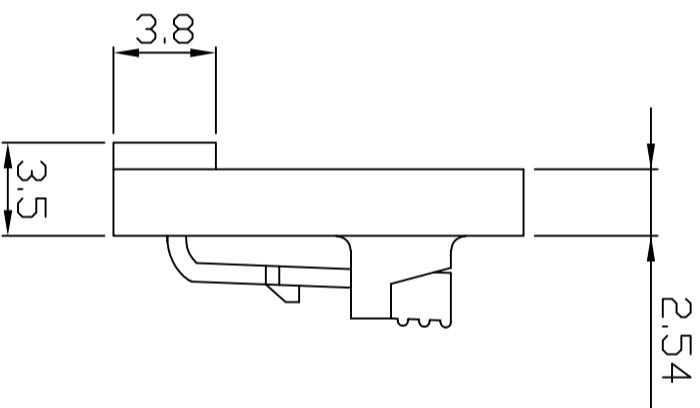
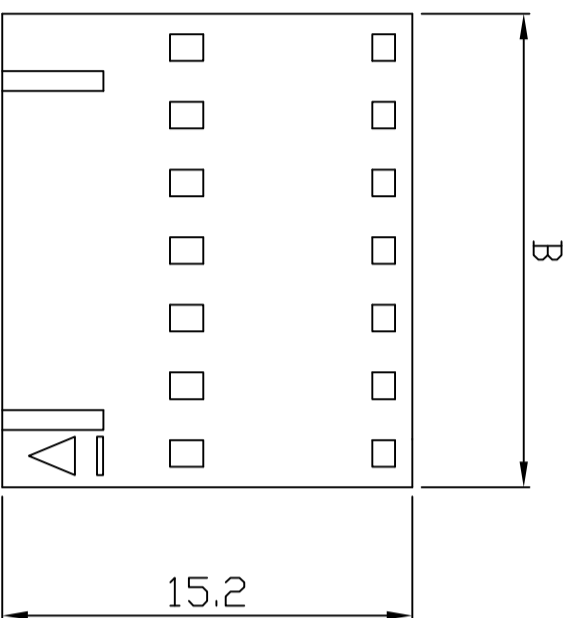
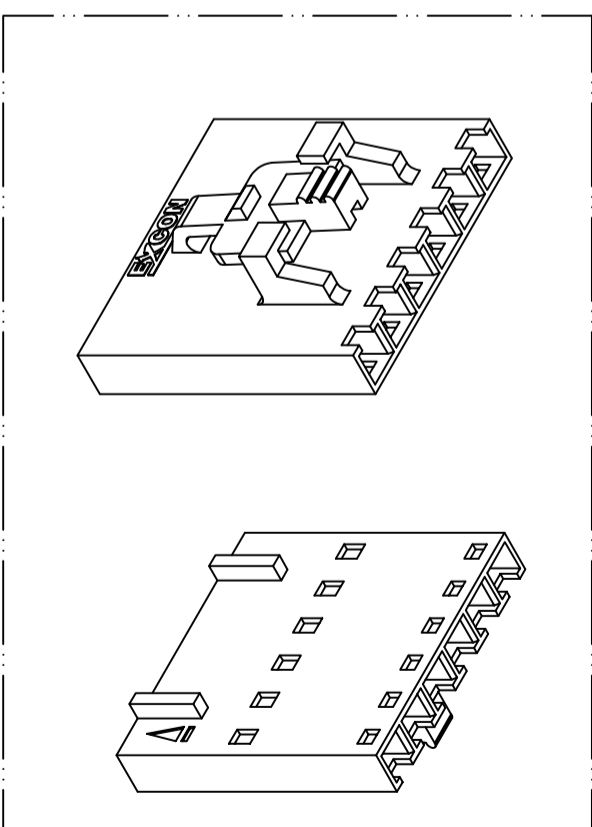
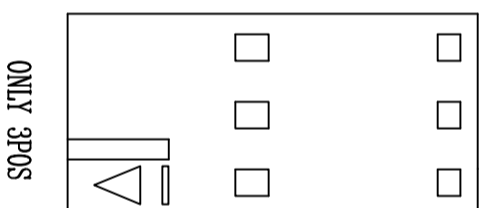
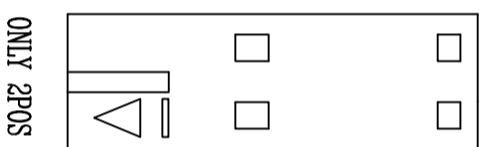
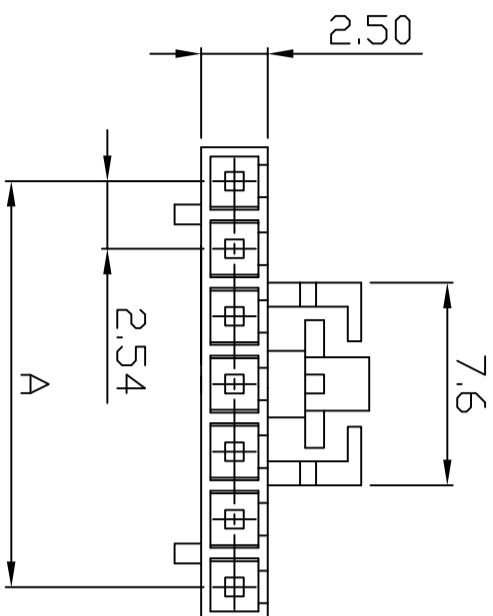


PART NO.  
2545xxHA003  
DWR NO.  
C2545HA



Dimensional & Ordering Information:

Part No.	Circuits	Dim A	Dim B
254502HA003	2	2.54	5.08
254503HA003	3	5.08	7.62
254504HA003	4	7.62	10.16
254505HA003	5	10.16	12.70
254506HA003	6	12.70	15.24
254507HA003	7	15.24	17.78
254508HA003	8	17.78	20.32
254509HA003	9	20.32	22.86
254510HA003	10	22.86	25.40
254511HA003	11	25.40	27.94
254512HA003	12	27.94	30.48

NOTE:

1. Housing Material: Nylon UL94V-0
2. Insulation resistance: 1000MΩ min.
3. Withstand voltage: 1000V AC/minute.
4. Current rating: 3A AC/DC.
5. Voltage rating: 250V AC/DC

UNLESS OTHERWISE SPECIFIED TOLERANCES  
3 PLACE ±0.5 ±0.10  
2 PLACE ±1.5 ±0.25  
1 PLACE ±2.0 ±0.50  
ANGLE DIM

**EXCON**

EXCON TECHNOLOGY COMPANY

REV.	REVISION	DIS	DATE

SCALE	REV.	PAGE	UNIT	THIRD ANGLE PROJECTION
3/1	A	1	mm	

DWG NO.: C2545HA

PART NO

2545xxHA003