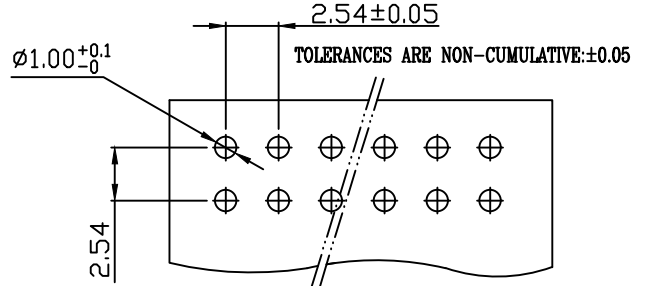
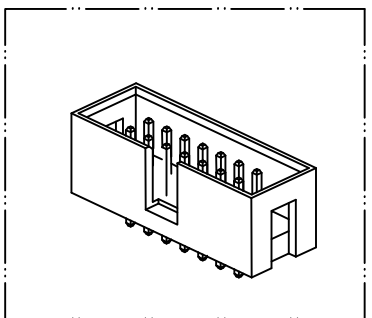
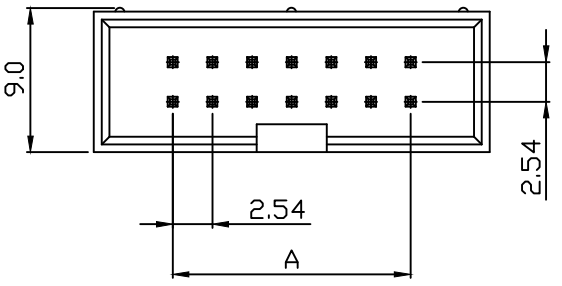


10 9 8 7 6 5 4 3 2 1

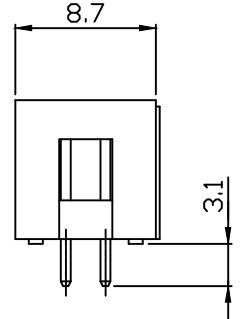
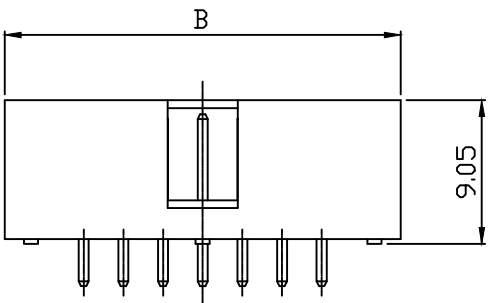
PART NO. 2544xxWV203
 DWG NO. C2544WV



RECOMMENDED PCB LAYOUT
 (PCB THK=1.0~1.6)

Dimensional & Ordering Information:

Part No.	POS	A	B
254406WV203	6	5.08	15.24
254408WV203	8	7.62	17.78
254410WV203	10	10.16	20.32
254414WV203	14	15.24	25.40
254416WV203	16	17.78	27.94
254420WV203	20	22.86	33.02
254424WV203	24	27.94	38.10
254426WV203	26	30.48	40.64
254430WV203	30	35.56	45.72
254434WV203	34	40.64	50.80
254440WV203	40	48.26	58.42
254444WV203	44	53.34	63.50
254450WV203	50	60.96	71.12
254460WV203	60	73.66	83.82
254464WV203	64	78.24	88.40



NOTE:

1. Wafer Material: PBT 94V-0
Pin/Pos Material: brass bronze.
2. Plated: Gold,flash
3. Insulation resistance: 1000MΩ min.
4. Withstand voltage: 1000V AC/minute.
5. Current rating: 3A AC/DC.
6. Voltage rating: 250V AC/DC

				UNLESS OTHERWISE SPECIFIED TOLERANCES		EXCON
				3 PLACE ±0.5 ±0.10		
				2 PLACE ±1.5 ±0.25		EXCON TECHNOLOGY COMPANY
				1 PLACE ±2.0 ±0.50		
REV.	REVISION			DIS	DATE	ANGLE DIM
SCALE	REV.	PAGE:	UNIT	mm		DWG NO:
2/1	A	1	THIRD ANGLE PROJECTION			C2544WV
					PART.NO	
					2544xxWV203	

10 9 8 7 6 5 4 3 2 1