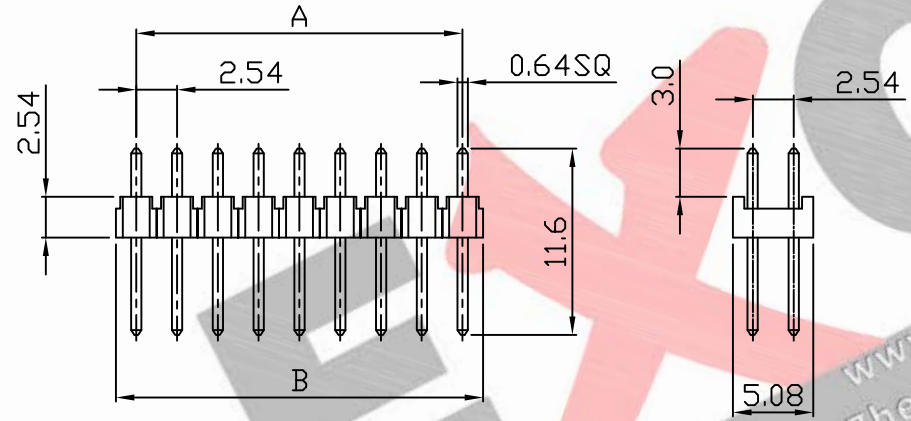
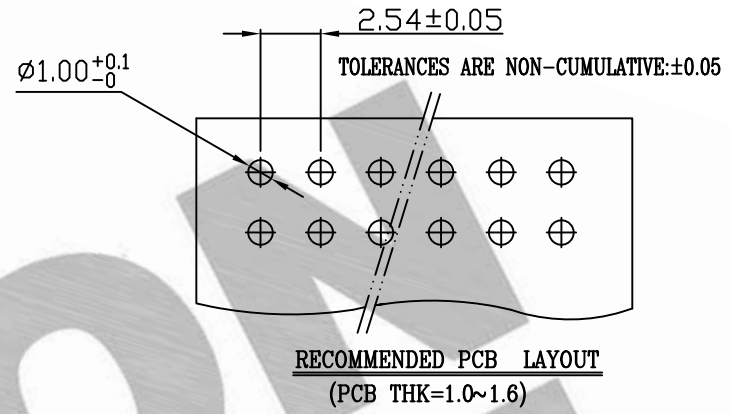
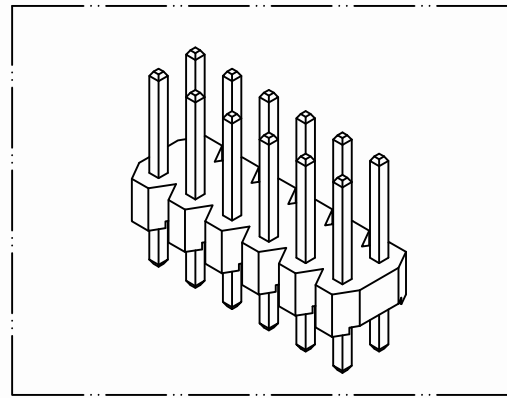


PART NO. 2543xxWV203  
 DWG NO. C2543WV



Dimensional & Ordering Information:

Part No.	POS	A	B	Part No.	POS	A	B
				254342WV203	42	50.80	53.34
254304WV203	4	2.54	5.08	254344WV203	44	53.34	55.88
254306WV203	6	5.08	7.62	254346WV203	46	55.88	58.42
254308WV203	8	7.62	10.16	254348WV203	48	58.42	60.96
254310WV203	10	10.16	12.70	254350WV203	50	60.96	63.50
254312WV203	12	12.70	15.24	254352WV203	52	63.50	66.04
254314WV203	14	15.24	17.78	254354WV203	54	66.04	68.58
254316WV203	16	17.78	20.32	254356WV203	56	68.58	71.12
254318WV203	18	20.32	22.86	254358WV203	58	71.12	73.66
254320WV203	20	22.86	25.40	254360WV203	60	73.66	76.20
254322WV203	22	25.40	27.94	254362WV203	62	76.20	78.74
254324WV203	24	27.94	30.48	254364WV203	64	78.74	81.28
254326WV203	26	30.48	33.02	254366WV203	66	81.28	83.82
254328WV203	28	33.02	35.56	254368WV203	68	83.82	86.36
254330WV203	30	35.56	38.10	254370WV203	70	86.36	88.90
254332WV203	32	38.10	40.64	254372WV203	72	88.90	91.44
254334WV203	34	40.64	43.18	254374WV203	74	91.44	93.98
254336WV203	36	43.18	45.72	254376WV203	76	93.98	96.52
254338WV203	38	45.72	48.26	254378WV203	78	96.52	99.06
254340WV203	40	48.26	50.80	254380WV203	80	99.06	101.60

NOTE:

1. Wafer Material: PBT 94V-0  
Pin/Pos Material: brass bronze.
2. Plated: Gold,flash
3. Insulation resistance: 1000MΩ min.
4. Withstand voltage: 1000V AC/minute.
5. Current retang: 3A AC/DC.
6. Voltage rating: 250V AC/DC

REV.				REVISIONI		DIS	DATE	UNLESS OTHERWISE SPECIFIED TOLERANCES 3 PLACE ±0.5 ±0.10 2 PLACE ±1.5 ±0.25 1 PLACE ±2.0 ±0.50 ANGLE DIM	 <b>EXCON TECHNOLOGY COMPANY</b>	
SCALE	REV.	PAGE:	UNIT	mm		DWG NO:				PART.NO
1/1	A	1	THIRD ANGLE PROJECTION			C2543WV				2543xxWV203