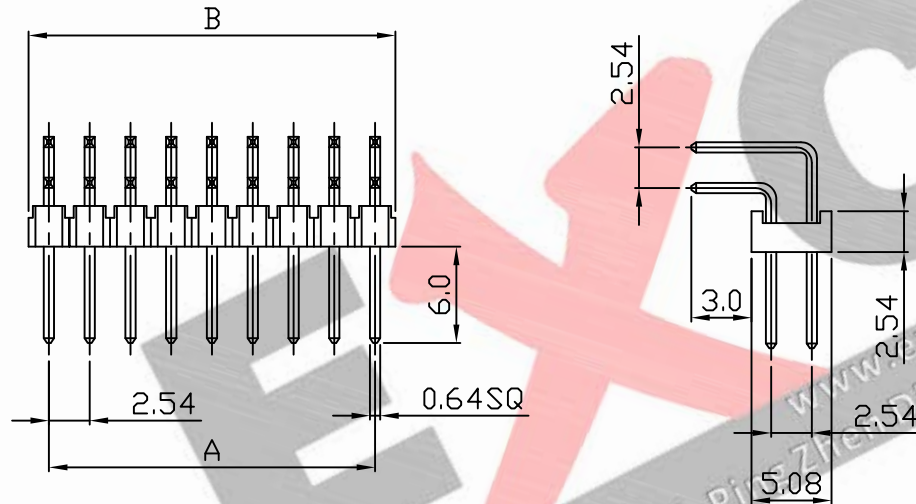
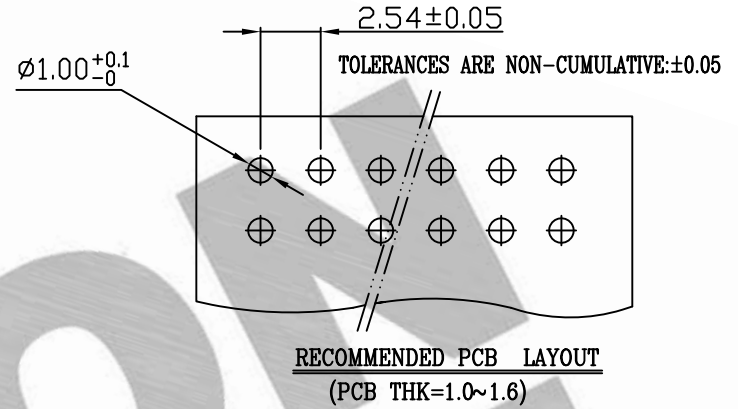
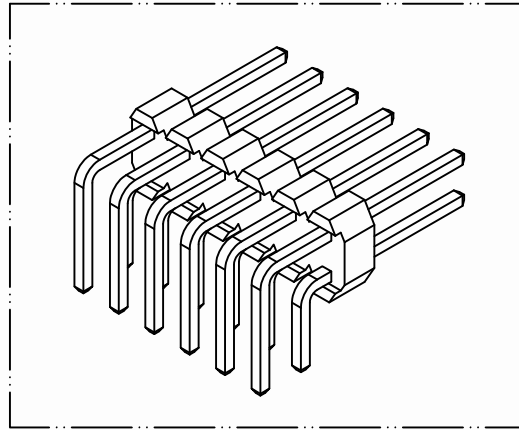


PART NO. 2543xxWR203
 DWG NO. C2543WR



Dimensional & Ordering Information:

Part No.	POS	A	B	Part No.	POS	A	B
254304WR203	4	2.54	5.08	254342WR203	42	50.80	53.34
254306WR203	6	5.08	7.62	254344WR203	44	53.34	55.88
254308WR203	8	7.62	10.16	254346WR203	46	55.88	58.42
254310WR203	10	10.16	12.70	254348WR203	48	58.42	60.96
254312WR203	12	12.70	15.24	254350WR203	50	60.96	63.50
254314WR203	14	15.24	17.78	254352WR203	52	63.50	66.04
254316WR203	16	17.78	20.32	254354WR203	54	66.04	68.58
254318WR203	18	20.32	22.86	254356WR203	56	68.58	71.12
254320WR203	20	22.86	25.40	254358WR203	58	71.12	73.66
254322WR203	22	25.40	27.94	254360WR203	60	73.66	76.20
254324WR203	24	27.94	30.48	254362WR203	62	76.20	78.74
254326WR203	26	30.48	33.02	254364WR203	64	78.74	81.28
254328WR203	28	33.02	35.56	254366WR203	66	81.28	83.82
254330WR203	30	35.56	38.10	254368WR203	68	83.82	86.36
254332WR203	32	38.10	40.64	254370WR203	70	86.36	88.90
254334WR203	34	40.64	43.18	254372WR203	72	88.90	91.44
254336WR203	36	43.18	45.72	254374WR203	74	91.44	93.98
254338WR203	38	45.72	48.26	254376WR203	76	93.98	96.52
254340WR203	40	48.26	50.80	254378WR203	78	96.52	99.06
				254380WR203	80	99.06	101.60

NOTE:

1. Wafer Material: PBT 94V-0
Pin/Pos Material: brass bronze.
2. Plated: Gold,flash
3. Insulation resistance: 1000MΩ min.
4. Withstand voltage: 1000V AC/minute.
5. Current retang: 3A AC/DC.
6. Voltage rating: 250V AC/DC

REV.				REVISIONI		DIS	DATE	UNLESS OTHERWISE SPECIFIED TOLERANCES 3 PLACE ±0.5 ±0.10 2 PLACE ±1.5 ±0.25 1 PLACE ±2.0 ±0.50 ANGLE DIM	 EXCON TECHNOLOGY COMPANY	
SCALE	REV.	PAGE:	UNIT	mm		DWG NO:				PART.NO
1/1	A	1	THIRD ANGLE PROJECTION			C2543WR				2543xxWR203