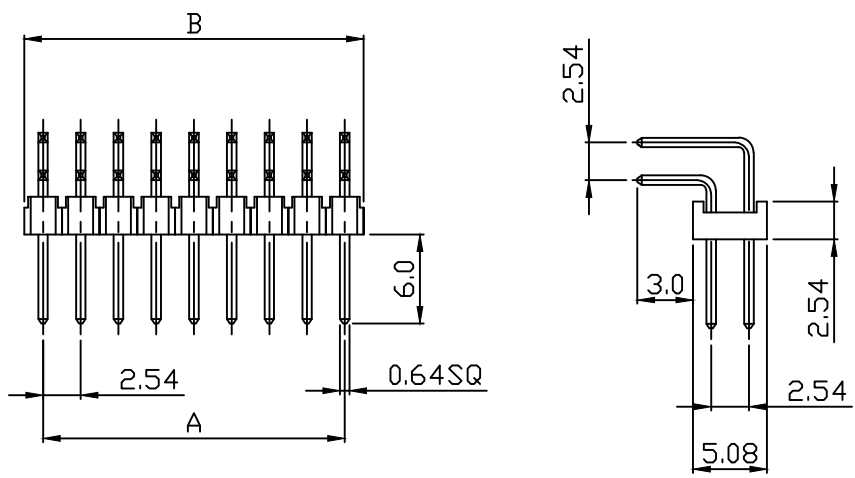
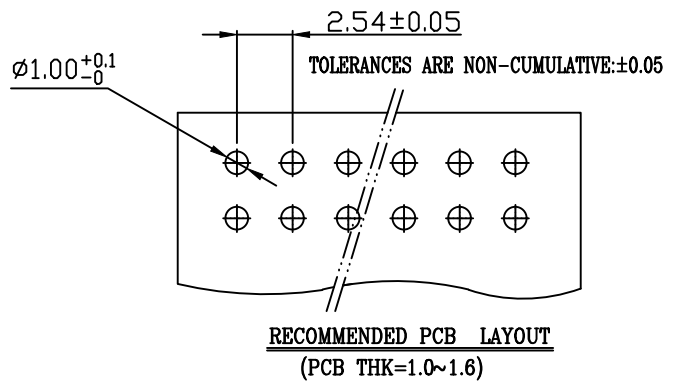
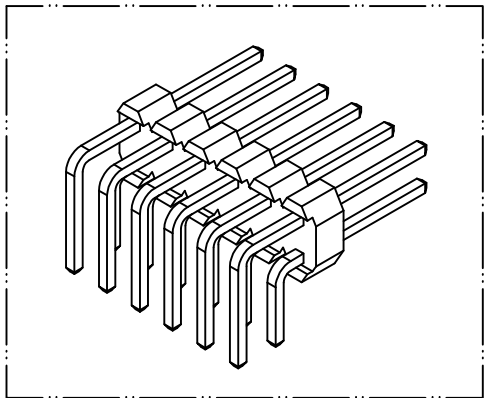


PART NO. 2543xxWR203
 DWG NO. C2543WR



Dimensional & Ordering Information:

Part No.	POS	A	B	Part No.	POS	A	B
				254342WR203	42	50.80	53.34
254304WR203	4	2.54	5.08	254344WR203	44	53.34	55.88
254306WR203	6	5.08	7.62	254346WR203	46	55.88	58.42
254308WR203	8	7.62	10.16	254348WR203	48	58.42	60.96
254310WR203	10	10.16	12.70	254350WR203	50	60.96	63.50
254312WR203	12	12.70	15.24	254352WR203	52	63.50	66.04
254314WR203	14	15.24	17.78	254354WR203	54	66.04	68.58
254316WR203	16	17.78	20.32	254356WR203	56	68.58	71.12
254318WR203	18	20.32	22.86	254358WR203	58	71.12	73.66
254320WR203	20	22.86	25.40	254360WR203	60	73.66	76.20
254322WR203	22	25.40	27.94	254362WR203	62	76.20	78.74
254324WR203	24	27.94	30.48	254364WR203	64	78.74	81.28
254326WR203	26	30.48	33.02	254366WR203	66	81.28	83.82
254328WR203	28	33.02	35.56	254368WR203	68	83.82	86.36
254330WR203	30	35.56	38.10	254370WR203	70	86.36	88.90
254332WR203	32	38.10	40.64	254372WR203	72	88.90	91.44
254334WR203	34	40.64	43.18	254374WR203	74	91.44	93.98
254336WR203	36	43.18	45.72	254376WR203	76	93.98	96.52
254338WR203	38	45.72	48.26	254378WR203	78	96.52	99.06
254340WR203	40	48.26	50.80	254380WR203	80	99.06	101.60

- NOTE:
1. Wafer Material: PBT 94V-0
Pin/Pos Material: brass bronze.
 2. Plated: Gold,flash
 3. Insulation resistance: 1000MΩ min.
 4. Withstand voltage: 1000V AC/minute.
 5. Current rating: 3A AC/DC.
 6. Voltage rating: 250V AC/DC

UNLESS OTHERWISE SPECIFIED TOLERANCES				EXCON EXCON TECHNOLOGY COMPANY
3 PLACE ±0.5 ±0.10				
2 PLACE ±1.5 ±0.25				
1 PLACE ±2.0 ±0.50				
ANGLE DIM				
REV.	REVISION		DIS	DATE
SCALE	REV.	PAGE:	UNIT	MM
1/1	A	1	THIRD ANGLE PROJECTION	⊕
DWG NO:			PART.NO	
C2543WR			2543xxWR203	