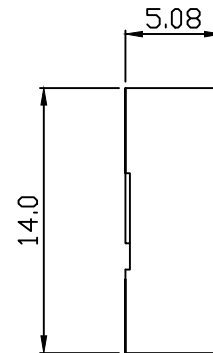
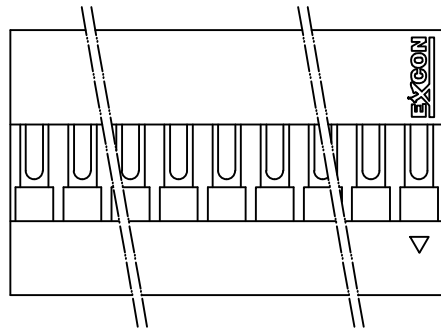
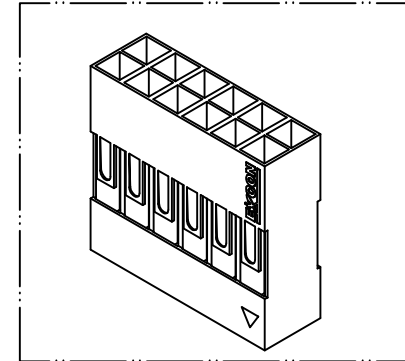
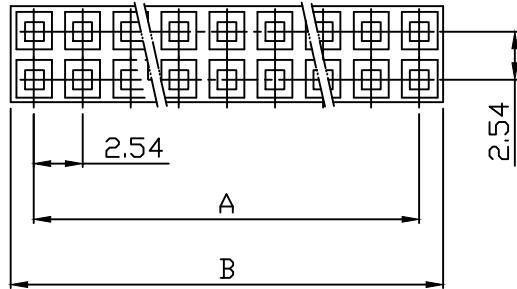


PART NO. 2543xxHA298  
 DWG NO. C2543HA


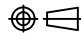


Dimensional & Ordering Information:

Part No.	POS	A	B	Part No.	POS	A	B
				254342HA298	42	50.80	53.34
254304HA298	4	2.54	5.08	254344HA298	44	53.34	55.88
254306HA298	6	5.08	7.62	254346HA298	46	55.88	58.42
254308HA298	8	7.62	10.16	254348HA298	48	58.42	60.96
254310HA298	10	10.16	12.70	254350HA298	50	60.96	63.50
254312HA298	12	12.70	15.24	254352HA298	52	63.50	66.04
254314HA298	14	15.24	17.78	254354HA298	54	66.04	68.58
254316HA298	16	17.78	20.32	254356HA298	56	68.58	71.12
254318HA298	18	20.32	22.86	254358HA298	58	71.12	73.66
254320HA298	20	22.86	25.40	254360HA298	60	73.66	76.20
254322HA298	22	25.40	27.94	254362HA298	62	76.20	78.74
254324HA298	24	27.94	30.48	254364HA298	64	78.74	81.28
254326HA298	26	30.48	33.02	254366HA298	66	81.28	83.82
254328HA298	28	33.02	35.56	254368HA298	68	83.82	86.36
254330HA298	30	35.56	38.10	254370HA298	70	86.36	88.90
254332HA298	32	38.10	40.64	254372HA298	72	88.90	91.44
254334HA298	34	40.64	43.18	254374HA298	74	91.44	93.98
254336HA298	36	43.18	45.72	254376HA298	76	93.98	96.52
254338HA298	38	45.72	48.26	254378HA298	78	96.52	99.06
254340HA298	40	48.26	50.80	254380HA298	80	99.06	101.60

NOTE:

1. Housing Material: PPO
2. Insulation resistance: 1000MΩ min.
3. Withstand voltage: 1000V AC/minute.
4. Current rating: 3A AC/DC.
5. Voltage rating: 250V AC/DC

				UNLESS OTHERWISE SPECIFIED TOLERANCES		 <b>EXCON TECHNOLOGY COMPANY</b>
				3 PLACE ±0.5 ±0.10		
				2 PLACE ±1.5 ±0.25		
				1 PLACE ±2.0 ±0.50		
				ANGLE DIM		
REV.	REVISION			DIS	DATE	
SCALE	REV.	PAGE:	UNIT	mm		DWG NO:
2/1	A	1	THIRD ANGLE PROJECTION			C2543HA
					PART.NO	
					2543xxHA298	