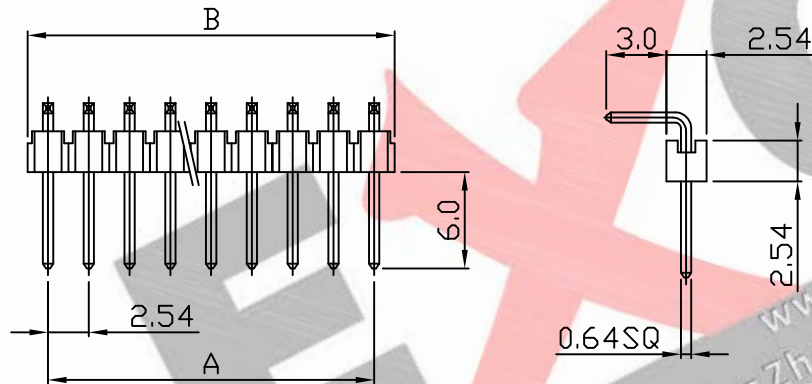


RECOMMENDED PCB LAYOUT
(PCB THK=1.0~1.6)

Dimensional & Ordering Information:

Part No.	Circuits	Dim A	Dim B	Part No.	Circuits	Dim A	Dim B
254201WR203	1	--	2.54	254221WR203	21	50.80	53.34
254202WR203	2	2.54	5.08	254222WR203	22	53.34	55.88
254203WR203	3	5.08	7.62	254223WR203	23	55.88	58.42
254204WR203	4	7.62	10.16	254224WR203	24	58.42	60.96
254205WR203	5	10.16	12.70	254225WR203	25	60.96	63.50
254206WR203	6	12.70	15.24	254226WR203	26	63.50	66.04
254207WR203	7	15.24	17.78	254227WR203	27	66.04	68.58
254208WR203	8	17.78	20.32	254228WR203	28	68.58	71.12
254209WR203	9	20.32	22.86	254229WR203	29	71.12	73.66
254210WR203	10	22.86	25.40	254230WR203	30	73.66	76.20
254211WR203	11	25.40	27.94	254231WR203	31	76.20	78.74
254212WR203	12	27.94	30.48	254232WR203	32	78.74	81.28
254213WR203	13	30.48	33.02	254233WR203	33	81.28	83.82
254214WR203	14	33.02	35.56	254234WR203	34	83.82	86.36
254215WR203	15	35.56	38.10	254235WR203	35	86.36	88.90
254216WR203	16	38.10	40.64	254236WR203	36	88.90	91.44
254217WR203	17	40.64	43.18	254237WR203	37	91.44	93.98
254218WR203	18	43.18	45.72	254238WR203	38	93.98	96.52
254219WR203	19	45.72	48.26	254239WR203	39	96.52	99.06
254220WR203	20	48.26	50.80	254240WR203	40	99.06	101.60



NOTE:

1. Wafer Material: PBT 94V-0
Pin/Pos Material: brass bronze.
2. Plated: Gold flash
3. Insulation resistance: 1000MΩ min.
4. Withstand voltage: 1000V AC/minute.
5. Current rating: 3A AC/DC.
6. Voltage rating: 250V AC/DC

				UNLESS OTHERWISE SPECIFIED TOLERANCES		 EXCON TECHNOLOGY COMPANY
				3 PLACE ±0.5 ±0.10		
				2 PLACE ±1.5 ±0.25		
				1 PLACE ±2.0 ±0.50		
REV.	REVISION		DIS	DATE	ANGLE DIM	
SCALE	REV.	PAGE:	UNIT	MM	DWG NO:	PART.NO
4/1	A	1	THIRD ANGLE PROJECTION		C2542WR	2542xxWR203

PART NO. 2542xxWR203
DWG NO. C2542WR