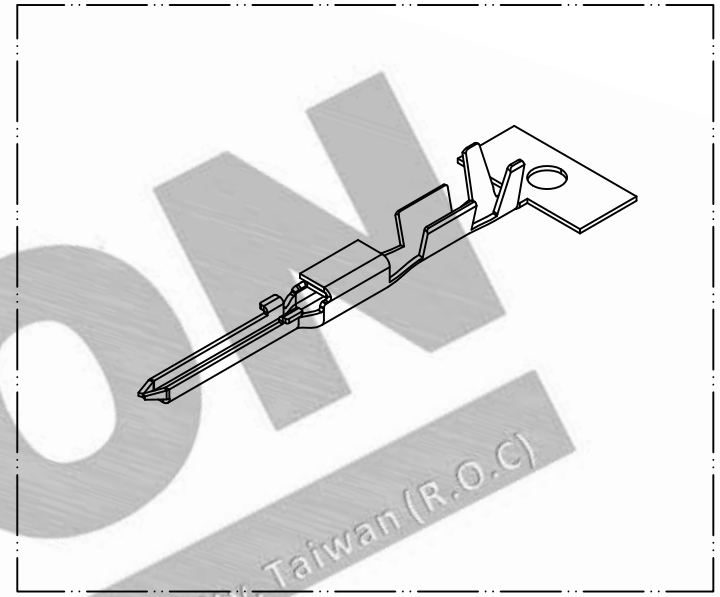
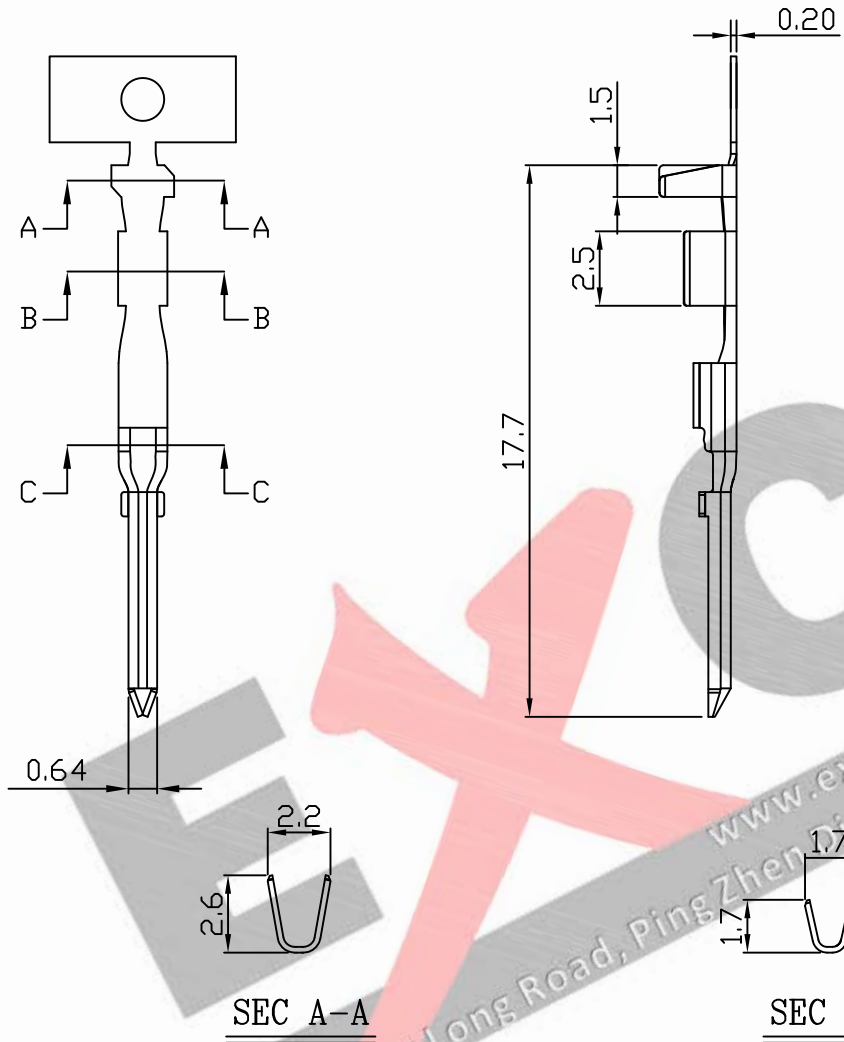


10 9 8 7 6 5 4 3 2 1

PART NO. 254200TA001
 DWG NO. C2542TA



SEC A-A

SEC B-B

SEC C-C

NOTE:

1. Terminal Material: brass bronze.
2. Plated: Tin plated 50" mim
3. Applicable wires: AWG#28-#22
4. Insulation O.D.: 1.2-1.7mm
5. Q'ty / reel:10,000pcs

				UNLESS OTHERWISE SPECIFIED TOLERANCES		EXCON EXCON TECHNOLOGY COMPANY
				3 PLACE ±0.5 ±0.10		
				2 PLACE ±1.5 ±0.25		
				1 PLACE ±2.0 ±0.50		
				ANGLE DIM		
REV.	REVISIONI			DIS	DATE	
SCALE	REV.	PAGE:	UNIT	mm		DWG NO:
5/1	A	1	THIRD ANGLE PROJECTION			C2542TA
					PART.NO	
					254200TA001	

F
E
D
C
B
A

F
E
D
C
B
A

10 9 8 7 6 5 4 3 2 1