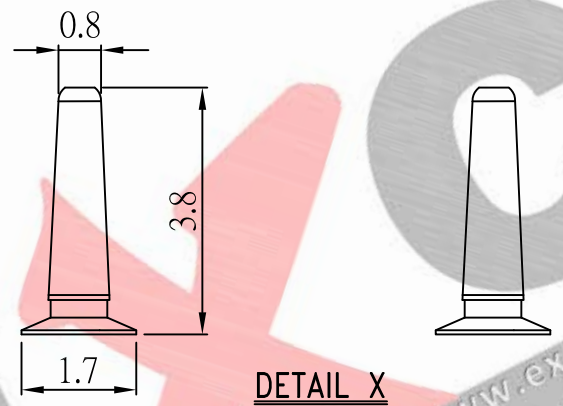
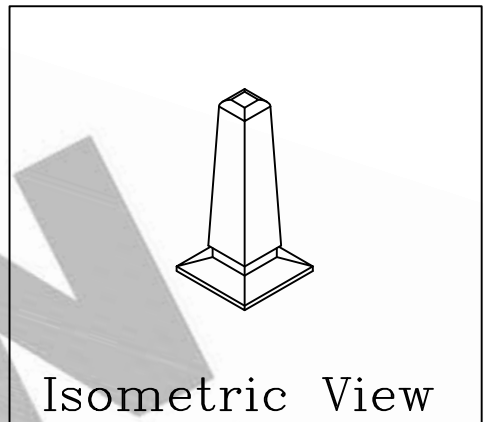
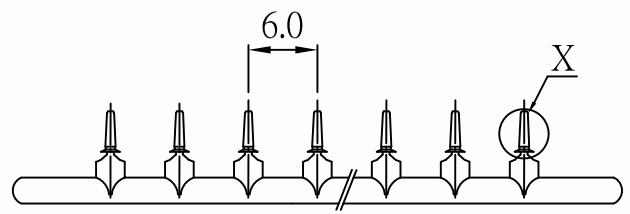


10 9 8 7 6 5 4 3 2 1

PART NO. 254200HK201
 DWG NO. C2542HK



NOTE:

1. Part Name: See table
2. Key Material: PBT UL94V0
3. Current rating: 3A AC/DC.
4. Voltage rating: 250V AC/DC
5. Withstand voltage: 1000V AC/minute.
6. Insulation resistance: 1000MΩ /min.

Dimensional & Ordering Information:

No	Part No.	Color
1	254200HK201	Natural
2	254200HK203	Black

C	件號/NOTE.修改		Christy	12/06/2016	UNLESS OTHERWISE SPECIFIED TOLERANCES 3 PLACE ±0.5 ±0.10 2 PLACE ±1.5 ±0.25 1 PLACE ±2.0 ±0.50 ANGLE DIM
B	DWG RELEASE		Christy	08/09/2016	
REV.	REVISIONI			DIS	DATE
SCALE	REV.	PAGE:	UNIT mm		DWG NO:
4/1	C	1/1	THIRD ANGLE PROJECTION		C2542HK

EXCON
 EXCON TECHNOLOGY COMPANY

PART.NO
 254200HK201

10 9 8 7 6 5 4 3 2 1