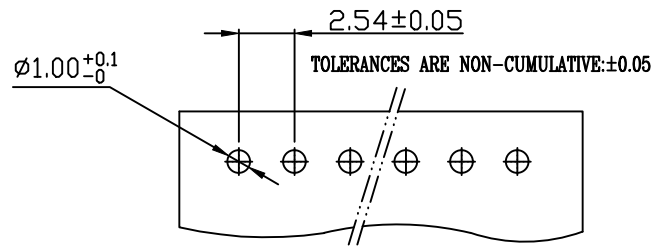
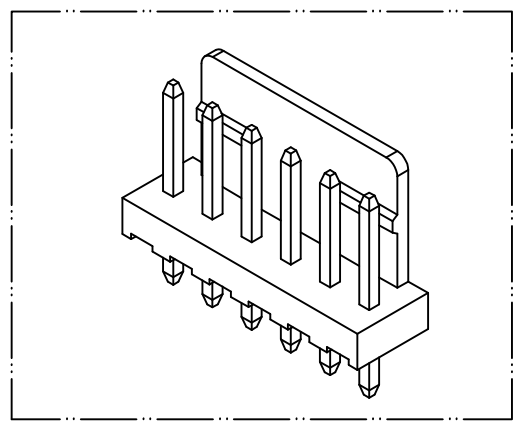
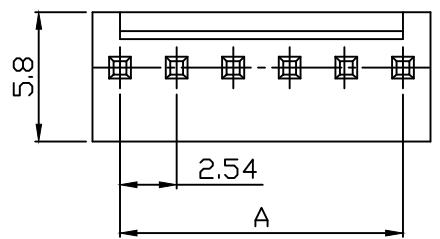
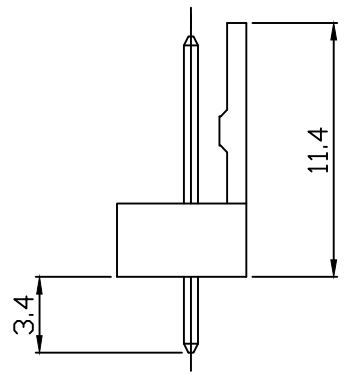
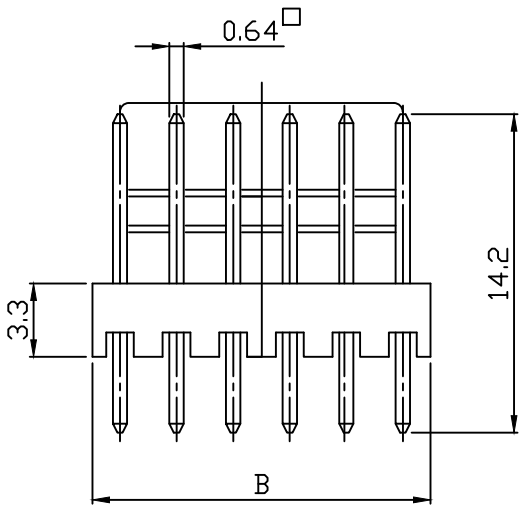


PART NO. 2541xxWV054
 DWG NO. C2541WV



RECOMMENDED PCB LAYOUT
 (PCB THK=1.0~1.6)



Dimensional & Ordering Information:

Part No.	Circuits	Dim A	Dim B	Dim C
254102WV054	2	2.54	5.08	2.54
254103WV054	3	5.08	7.62	5.08
254104WV054	4	7.62	10.16	7.62
254105WV054	5	10.16	12.70	10.16
254106WV054	6	12.70	15.24	12.70
254107WV054	7	15.24	17.78	15.24
254108WV054	8	17.78	20.32	17.78
254109WV054	9	20.32	22.86	20.32
254110WV054	10	22.86	25.40	22.86
254111WV054	11	25.40	27.94	25.40
254112WV054	12	27.94	30.48	27.94
254113WV054	13	30.48	33.02	30.48
254114WV054	14	33.02	35.56	33.02
254115WV054	15	35.56	38.10	35.56
254116WV054	16	38.10	40.64	38.10
254117WV054	17	40.64	43.18	40.64
254118WV054	18	43.18	45.72	43.18
254119WV054	19	45.72	48.26	45.72
254120WV054	20	48.26	50.80	48.26

NOTE:

1. Wafer Material: Nylon 66 UL94V-2
Pin/Pos Material: brass bronze.
2. Plated: Tin-plated 50u"min.
3. Insulation resistance: 1000M ohm/min.
4. Withstand voltage: 1000V AC/minute.
5. Current retang: 3A AC/DC.
6. Voltage rating: 250V AC/DC

REV.	REVISION	DIS	DATE
SCALE	REV.	PAGE:	UNIT
4/1	A	1	mm

UNLESS OTHERWISE SPECIFIED TOLERANCES
 3 PLACE ±0.5 ±0.10
 2 PLACE ±1.5 ±0.35
 1 PLACE ±2.0 ±0.50
 ANGLE DIM



DWG NO:	C2541WV	PART.NO	2541xxWV054
---------	---------	---------	-------------