

10

9

8

7

6

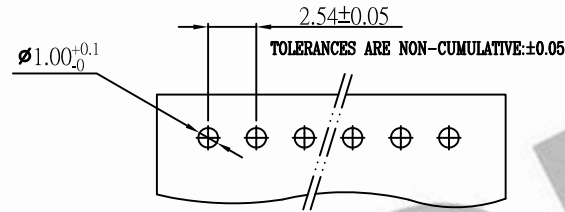
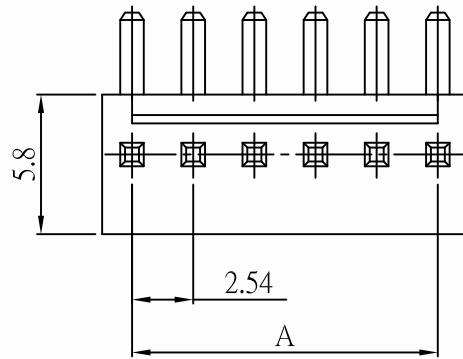
5

4

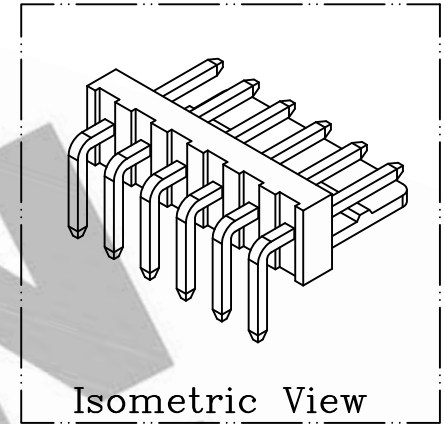
3

2

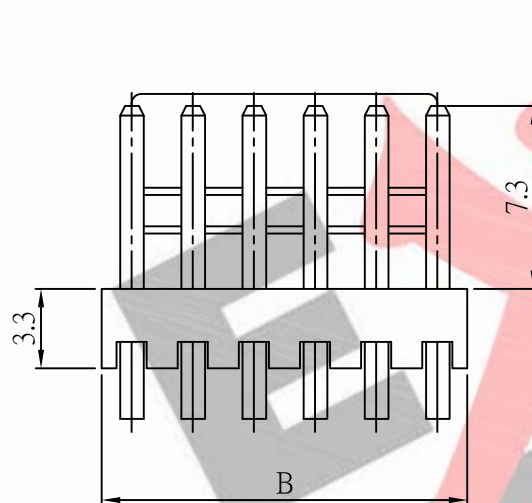
1

PART NO.
2541xxWR054DWG NO.
C2541WR

RECOMMENDED PCB LAYOUT
(PCB THK=1.0~1.6)



Isometric View



Dimensional & Ordering Information:

| Part No. | Circuits | Dim A | Dim B |
|-------------|----------|-------|-------|
| 254102WR054 | 2 | 2.54 | 5.08 |
| 254103WR054 | 3 | 5.08 | 7.62 |
| 254104WR054 | 4 | 7.62 | 10.16 |
| 254105WR054 | 5 | 10.16 | 12.70 |
| 254106WR054 | 6 | 12.70 | 15.24 |
| 254107WR054 | 7 | 15.24 | 17.78 |
| 254108WR054 | 8 | 17.78 | 20.32 |
| 254109WR054 | 9 | 20.32 | 22.86 |
| 254110WR054 | 10 | 22.86 | 25.40 |
| 254111WR054 | 11 | 25.40 | 27.94 |
| 254112WR054 | 12 | 27.94 | 30.48 |
| 254113WR054 | 13 | 30.48 | 33.02 |
| 254114WR054 | 14 | 33.02 | 35.56 |
| 254115WR054 | 15 | 35.56 | 38.10 |
| 254116WR054 | 16 | 38.10 | 40.64 |
| 254117WR054 | 17 | 40.64 | 43.18 |
| 254118WR054 | 18 | 43.18 | 45.72 |
| 254119WR054 | 19 | 45.72 | 48.26 |
| 254120WR054 | 20 | 48.26 | 50.80 |

NOTE:

1. Wafer Material: Nylon 66 UL94V-2
2. Plated: Tin-plated 50u"min.
3. Current rating: 3A AC/DC.
4. Voltage rating: 250V AC/DC
5. Insulation resistance: 1000M ohm/min.
6. Withstand voltage: 1000V AC/minute.
7. Color: Beige

| | | | | | | |
|-------|-----------|-------------|-------------|------------|---------------|--|
| B | | DWG RELEASE | | Christy | 11/21 2016 | UNLESS OTHERWISE SPECIFIED TOLERANCES 3 PLACE $\pm 0.5 \pm 0.10$ 2 PLACE $\pm 1.5 \pm 0.35$ 1 PLACE $\pm 2.0 \pm 0.50$ ANGLE DIM |
| REV. | REVISIONI | | | DIS | DATE | |
| SCALE | REV. | PAGE: | UNIT | mm | | DWG NO: |
| 4/1 | B | 1/1 | THIRD ANGLE | PROJECTION | | C2541WR |

EXCON
EXCON TECHNOLOGY COMPANY

PART.NO

2541xxWR054

10

9

8

7

6

5

4

3

2

1