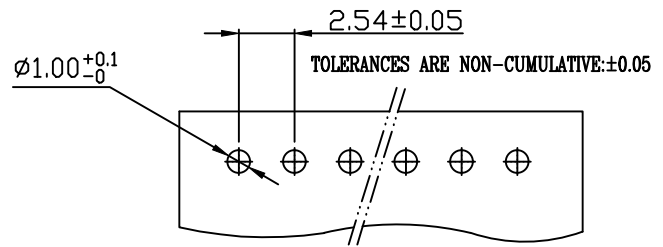
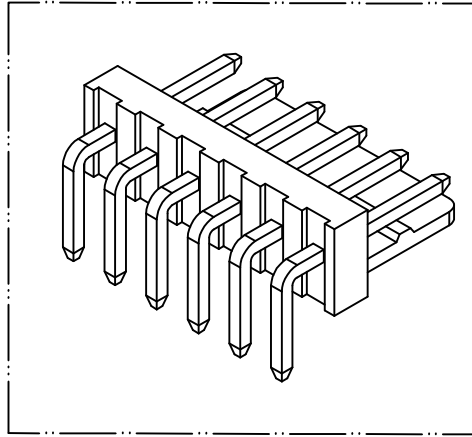
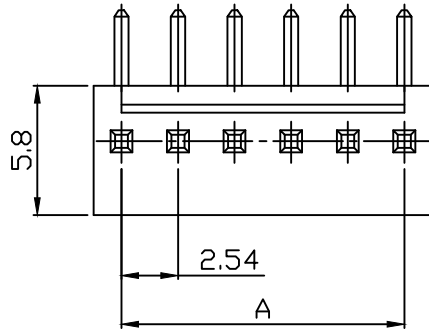
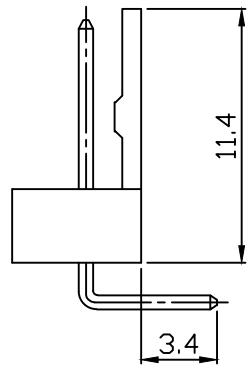
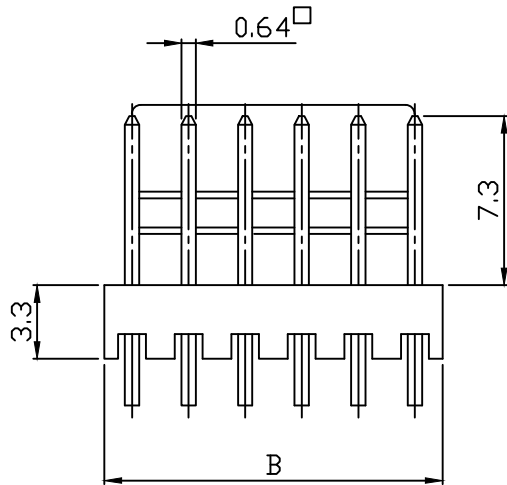


PART NO. 2541xxWR054
 DWG NO. C2541WR



RECOMMENDED PCB LAYOUT
 (PCB THK=1.0~1.6)



Dimensional & Ordering Information:

Part No.	Circuits	Dim A	Dim B	Dim C
254102WR054	2	2.54	5.08	2.54
254103WR054	3	5.08	7.62	5.08
254104WR054	4	7.62	10.16	7.62
254105WR054	5	10.16	12.70	10.16
254106WR054	6	12.70	15.24	12.70
254107WR054	7	15.24	17.78	15.24
254108WR054	8	17.78	20.32	17.78
254109WR054	9	20.32	22.86	20.32
254110WR054	10	22.86	25.40	22.86
254111WR054	11	25.40	27.94	25.40
254112WR054	12	27.94	30.48	27.94
254113WR054	13	30.48	33.02	30.48
254114WR054	14	33.02	35.56	33.02
254115WR054	15	35.56	38.10	35.56
254116WR054	16	38.10	40.64	38.10
254117WR054	17	40.64	43.18	40.64
254118WR054	18	43.18	45.72	43.18
254119WR054	19	45.72	48.26	45.72
254120WR054	20	48.26	50.80	48.26

NOTE:

1. Wafer Material: Nylon 66 UL94V-2
2. Plated: Tin-plated 50u"min.
3. Insulation resistance: 1000M ohm/min.
4. Withstand voltage: 1000V AC/minute.
5. Current rating: 3A AC/DC.
6. Voltage rating: 250V AC/DC

REV.	REVISION	DIS	DATE
SCALE	REV.	PAGE:	UNIT
4/1	A	1	mm

UNLESS OTHERWISE SPECIFIED TOLERANCES
 3 PLACE ±0.5 ±0.10
 2 PLACE ±1.5 ±0.35
 1 PLACE ±2.0 ±0.50
 ANGLE DIM

EXCON
 EXCON TECHNOLOGY COMPANY

PART NO. 2541xxWR054

A

A