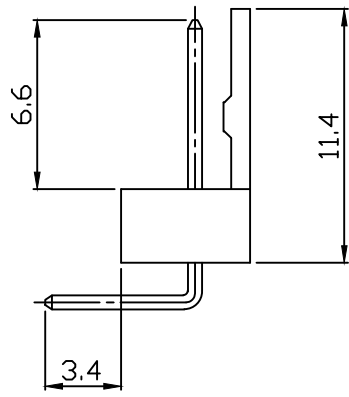
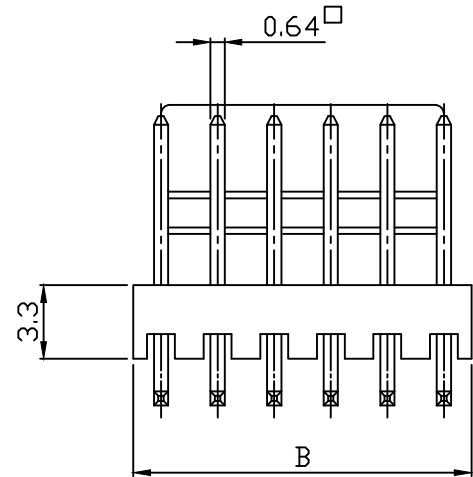
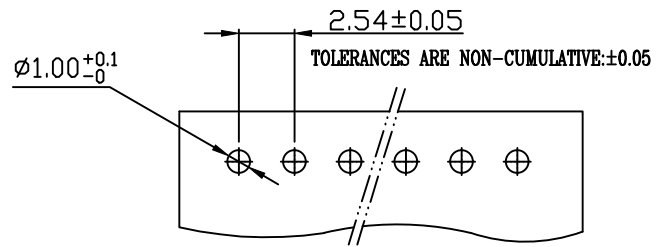
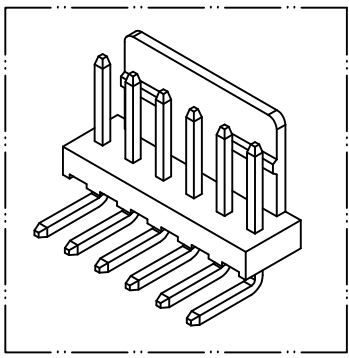
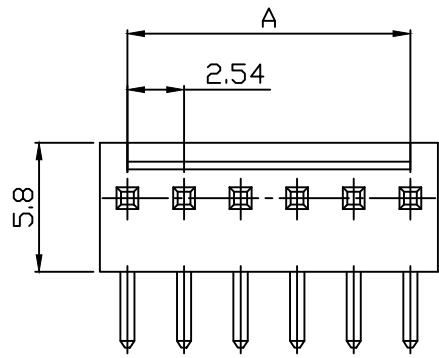


PART NO. 2541xxWJ054
 DWG NO. C2541WJ



Dimensional & Ordering Information:

Part No.	Circuits	Dim A	Dim B	Dim C
254102WJ054	2	2.54	5.08	2.54
254103WJ054	3	5.08	7.62	5.08
254104WJ054	4	7.62	10.16	7.62
254105WJ054	5	10.16	12.70	10.16
254106WJ054	6	12.70	15.24	12.70
254107WJ054	7	15.24	17.78	15.24
254108WJ054	8	17.78	20.32	17.78
254109WJ054	9	20.32	22.86	20.32
254110WJ054	10	22.86	25.40	22.86
254111WJ054	11	25.40	27.94	25.40
254112WJ054	12	27.94	30.48	27.94
254113WJ054	13	30.48	33.02	30.48
254114WJ054	14	33.02	35.56	33.02
254115WJ054	15	35.56	38.10	35.56
254116WJ054	16	38.10	40.64	38.10
254117WJ054	17	40.64	43.18	40.64
254118WJ054	18	43.18	45.72	43.18
254119WJ054	19	45.72	48.26	45.72
254120WJ054	20	48.26	50.80	48.26

NOTE:

1. Wafer Material: Nylon 66 UL94V-2
2. Plated: Tin-plated 50u"min.
3. Insulation resistance: 1000M ohm/min.
4. Withstand voltage: 1000V AC/minute.
5. Current rating: 3A AC/DC.
6. Voltage rating: 250V AC/DC

REV.	REVISION	DIS	DATE
SCALE	REV.	PAGE	UNIT
4/1	A	1	mm

UNLESS OTHERWISE SPECIFIED TOLERANCES
 3 PLACE ±0.5 ±0.10
 2 PLACE ±1.5 ±0.35
 1 PLACE ±2.0 ±0.50
 ANGLE DIM

EXCON
 EXCON TECHNOLOGY COMPANY

DWG NO: C2541WJ
 PART.NO: 2541xxWJ054