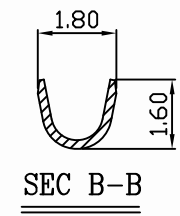
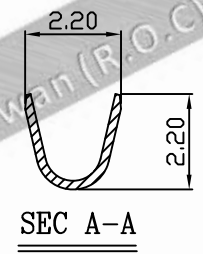
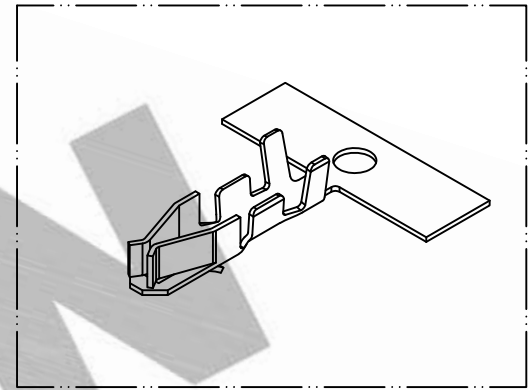
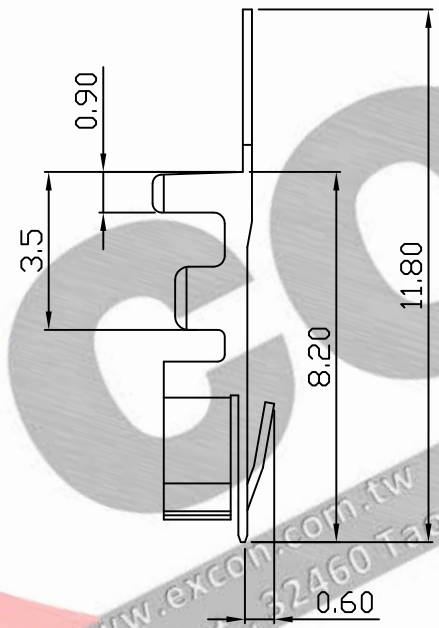
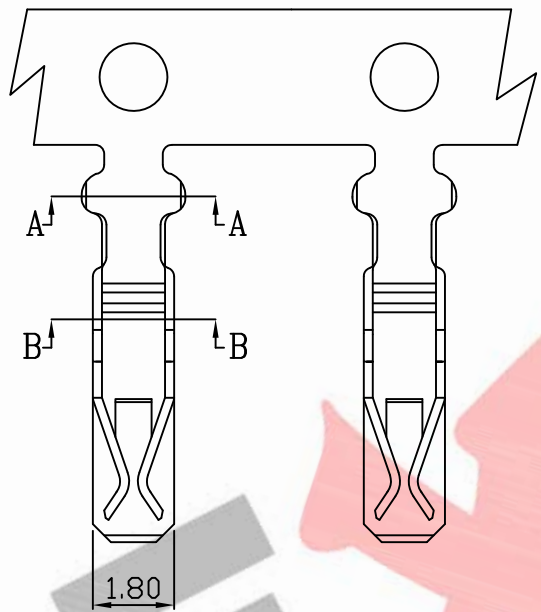


PART NO. 251900TC351  
 DWG NO. C2519TC



NOTE:

1. Terminal Material: phosphor bronze.
2. Plated: Tin-plated 50u"min.
3. Applicable wires: AWG#38-#22
4. Insulation O.D.:1.0~1.5 mm
5. Q'ty / reel:10,000 PCS

				UNLESS OTHERWISE SPECIFIED TOLERANCES		
				3 PLACE ±0.5 ±0.10		
				2 PLACE ±1.5 ±0.25		
				1 PLACE ±2.0 ±0.50		
REV.	REVISIONI			DIS	DATE	ANGLE DIM
SCALE	REV.	PAGE:	UNIT	mm		DWG NO:
8/1	A	1	THIRD ANGLE PROJECTION			C2519TC

PART.NO	
251900TC351	