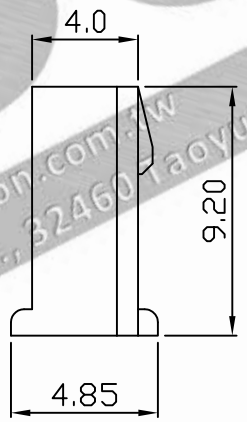
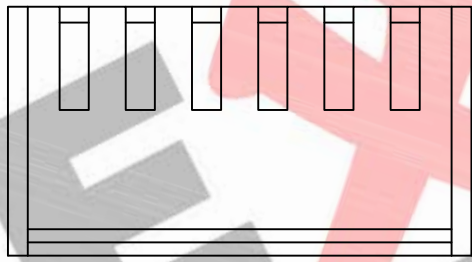
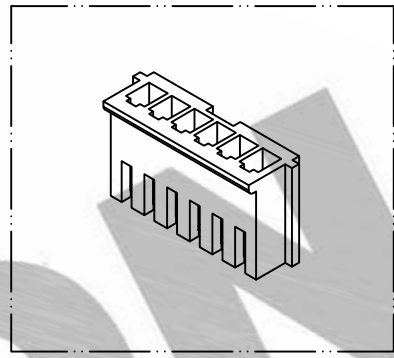
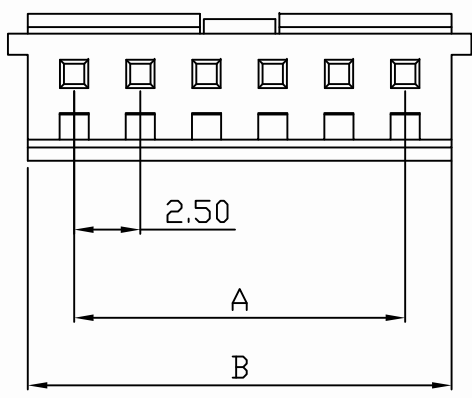


10 9 8 7 6 5 4 3 2 1

PART NO. 2519xxHA003  
 DWG NO. C2519HA



Dimensional and Ordering Information

PART NO	POS	A	B
251902HA003	2P	2.50	6.00
251903HA003	3P	5.00	8.50
251904HA003	4P	7.50	11.00
251905HA003	5P	10.00	13.50
251906HA003	6P	12.50	16.00
251907HA003	7P	15.00	18.50
251908HA003	8P	17.50	21.00
251909HA003	9P	20.00	23.50
251910HA003	10P	22.50	26.00
251911HA003	11P	25.00	28.50
251912HA003	12P	27.50	31.00

NOTE:

1. Housing Material: Nylon 66 UL 94V-0
2. Insulation resistance: 1000M ohm/min.
3. Withstand voltage: 1000V AC/minute.
4. Current rating: 3A AC/DC.

				UNLESS OTHERWISE SPECIFIED TOLERANCES		<b>EXCON</b> EXCON TECHNOLOGY COMPANY
				3 PLACE ±0.5 ±0.10		
				2 PLACE ±1.5 ±0.25		PART.NO 2519xxHA003
				1 PLACE ±2.0 ±0.50		
				ANGLE DIM		
REV.	REVISION		DIS	DATE		
SCALE	REV.	PAGE:	UNIT	mm	DWG NO:	
5/1	A	1	THIRD ANGLE PROJECTION		C2519HA	

EXCON

www.excon.com.tw  
 899, Ping Long Road, Ping Zhen Dist., 32460 Taoyuan City, Taiwan (R.O.C)

10 9 8 7 6 5 4 3 2 1