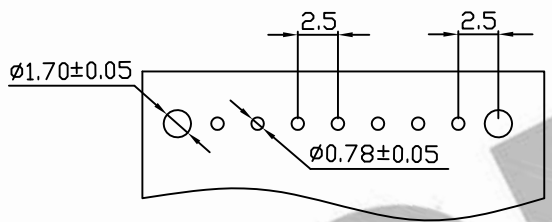
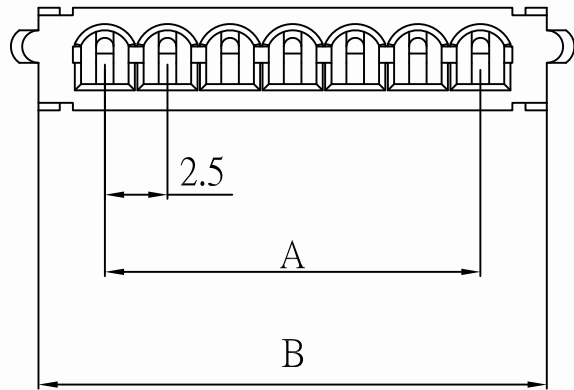
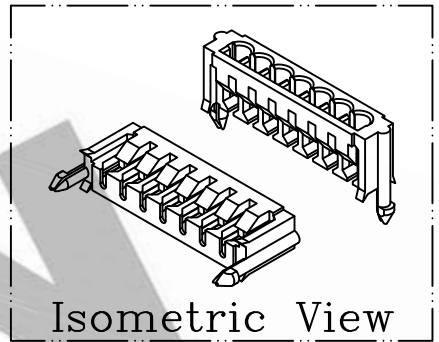


PART NO.
2518xxHB001
DWG NO.
C2518HB

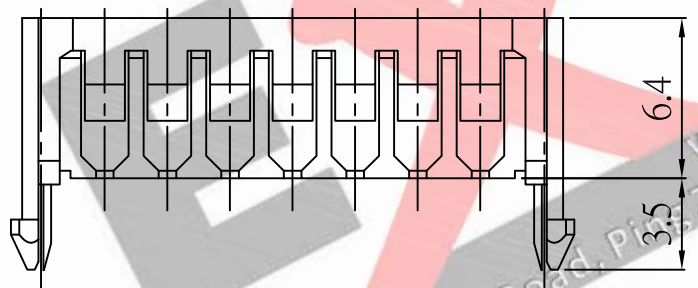


RECOMMENDED PCB LAYOUT
(PCB T=0.8~1.6mm)



Ordering Information and Dimensions:

Part No.	Circuits	Dim A	Dim B
251802HB001	2	2.50	7.80
251803HB001	3	5.00	10.30
251804HB001	4	7.50	12.80
251805HB001	5	10.00	15.30
251806HB001	6	12.50	17.80
251807HB001	7	15.00	20.30
251808HB001	8	17.50	22.80
251809HB001	9	20.00	25.30
251810HB001	10	22.50	27.80
251811HB001	11	25.00	30.30
251812HB001	12	27.50	32.80
251813HB001	13	30.00	35.30
251814HB001	14	32.50	37.80
251815HB001	15	35.00	40.30
251816HB001	16	37.50	42.80
251817HB001	17	40.00	45.30
251818HB001	18	42.50	47.80
251819HB001	19	45.00	50.30
251820HB001	20	47.50	52.80



NOTE:

1. Housing Material: Nylon 66 UL94V0
2. Current rating: 1A AC/DC.
3. Voltage rating: 125V AC/DC
4. Insulation resistance: 1000M Ω/min.
5. Withstand voltage: 800V AC/minute.
6. Natural: Color

A		DWG RELEASE		Christy	11/18 2016	UNLESS OTHERWISE SPECIFIED TOLERANCES 3 PLACE ±0.5 ±0.10 2 PLACE ±1.5 ±0.25 1 PLACE ±2.0 ±0.50 ANGLE DIM
REV.	REVISIONI			DIS	DATE	
SCALE	REV.	PAGE:	UNIT	mm		DWG NO:
3/1	A	1/1	THIRD ANGLE	PROJECTION		C2518HB

EXCON
EXCON TECHNOLOGY COMPANY

PART.NO
2518xxHB001