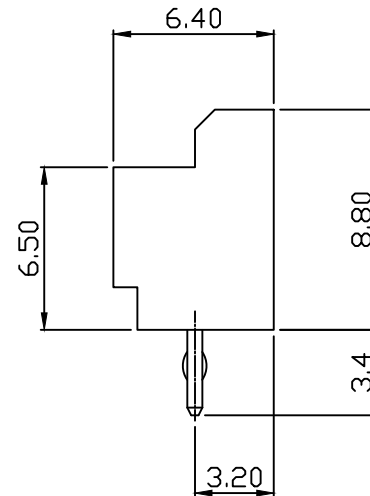
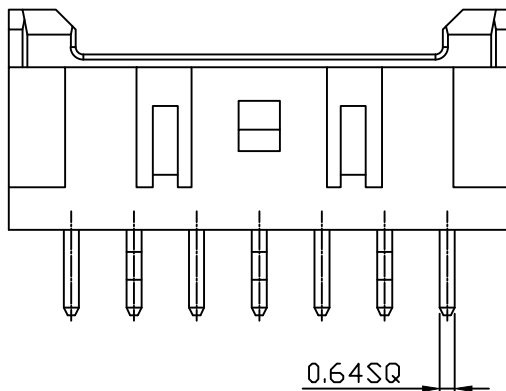
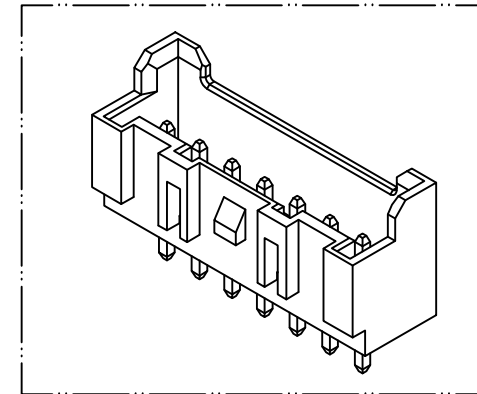
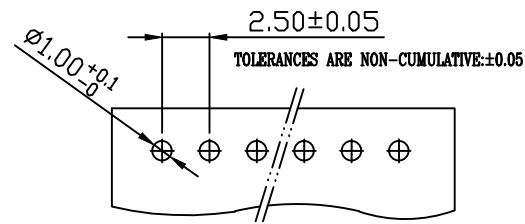
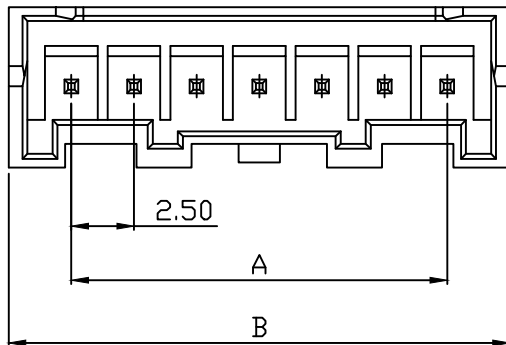


PART NO. 2517xxWV001
 DWG NO. C2517WV



Dimensional & Ordering Information:

Part No.	Circuits	Dim A	Dim B
251702WV001	2	2.50	7.50
251703WV001	3	5.00	10.00
251704WV001	4	7.50	12.50
251705WV001	5	10.00	15.00
251706WV001	6	12.50	17.50
251707WV001	7	15.00	20.00
251708WV001	8	17.50	22.50
251709WV001	9	20.00	25.00
251710WV001	10	22.50	27.50
251711WV001	11	25.00	30.00
251712WV001	12	27.50	32.50
251713WV001	13	30.00	35.00
251714WV001	14	32.50	37.50
251715WV001	15	35.00	40.00
251716WV001	16	37.50	42.50
251717WV001	17	40.00	45.00
251718WV001	18	42.50	47.50
251719WV001	19	45.00	50.00
251720WV001	20	47.50	52.50

NOTE:

1. Wafer Material: Nylon 46 or 6T UL94V-0
Pin/Pos Material: brass bronze.
2. Plated: Tin-plated 50u"min.
3. Insulation resistance: 1000M ohm/min.
4. Withstand voltage: 1000V AC/minute.
5. Current rating: 3A AC/DC.
6. Voltage rating: 250V AC/DC

REV.	REVISION			DIS	DATE
SCALE	REV.	PAGE:	UNIT	mm	
NONE	B	1	THIRD ANGLE PROJECTION		

UNLESS OTHERWISE SPECIFIED TOLERANCES
 3 PLACE ±0.5 ±0.10
 2 PLACE ±1.5 ±0.25
 1 PLACE ±2.0 ±0.50
 ANGLE DIM

EXCON
 EXCON TECHNOLOGY COMPANY

DWG NO: C2517WV			PART.NO 2517xxWV001		
-----------------	--	--	---------------------	--	--