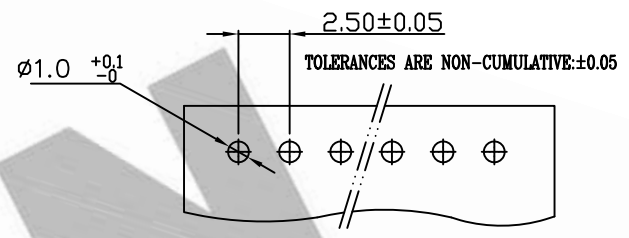
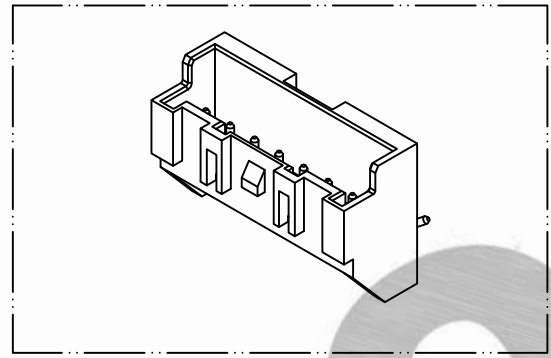
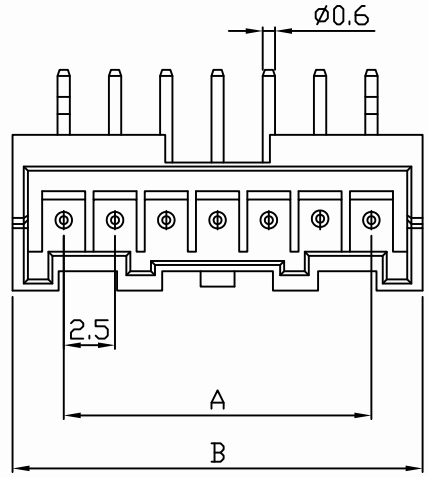
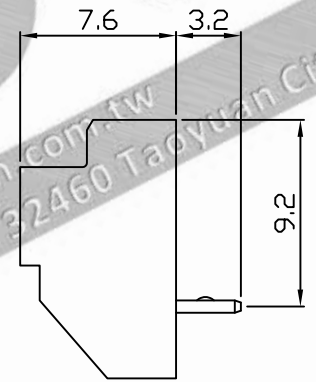
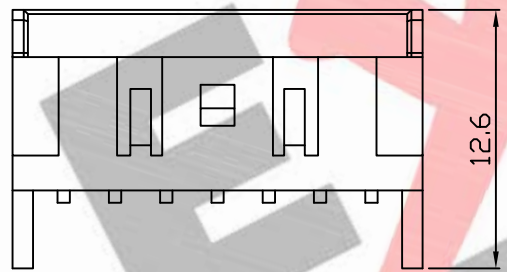


PART NO. 2517xxWR101
 DWG NO. C2501WR



RECOMMENDED PCB LAYOUT
 (PCB THK=0.8~1.6)



Dimensional & Ordering Information:

Part No.	Circuits	Dim A	Dim B
251702WR001	2	2.50	7.50
251703WR001	3	5.00	10.00
251704WR001	4	7.50	12.50
251705WR001	5	10.00	15.00
251706WR001	6	12.50	17.50
251707WR001	7	15.00	20.00
251708WR001	8	17.50	22.50
251709WR001	9	20.00	25.00
251710WR001	10	22.50	27.50
251711WR001	11	25.00	30.00
251712WR001	12	27.50	32.50
251713WR001	13	30.00	35.00
251714WR001	14	32.50	37.50
251715WR001	15	35.00	40.00
251716WR001	16	37.50	42.50
251717WR001	17	40.00	45.00
251718WR001	18	42.50	47.50
251719WR001	19	45.00	50.00
251720WR001	20	47.50	52.50

NOTE:

1. Wafer Material: Nylon 66 UL94V-0
Pin/Pos Material: brass bronze.
2. Plated: Tin-plated 50u"min.
3. Insulation resistance: 1000M Ω /min.
4. Withstand voltage: 1000V AC/minute.
5. Current retang: 3A AC/DC.
6. Voltage rating: 250V AC/DC

UNLESS OTHERWISE SPECIFIED TOLERANCES			
3 PLACE ± 0.5 ± 0.10			
2 PLACE ± 1.5 ± 0.25			
1 PLACE ± 2.0 ± 0.50			
ANGLE DIM			
REV.	REVISIONI		DIS DATE
SCALE	REV.	PAGE:	UNIT M M
5/1	A	1	THIRD ANGLE PROJECTION

EXCON
 EXCON TECHNOLOGY COMPANY

PART.NO
 2517xxWR001