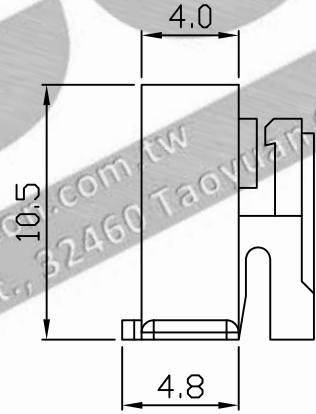
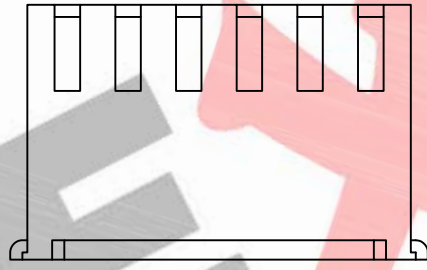
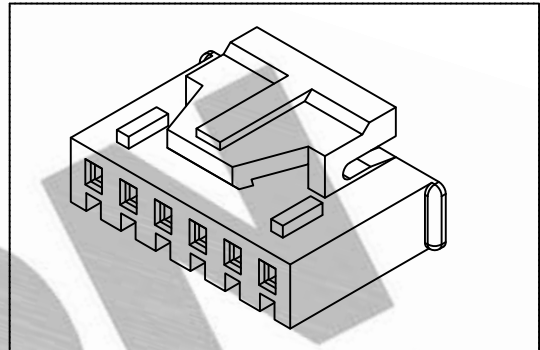
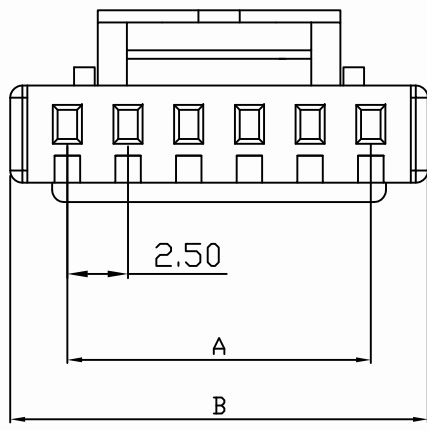


10 9 8 7 6 5 4 3 2 1

PART NO. 2516XXHA001
 DWG NO. C2516HA



Dimensional & Ordering Information:

Part No.	Circuits	Dim A	Dim B
251602HA001	2	2.5	7.2
251603HA001	3	5.0	9.7
251604HA001	4	7.5	12.2
251605HA001	5	10.0	14.7
251606HA001	6	12.5	17.2
251607HA001	7	15.0	19.7
251608HA001	8	17.5	22.2
251609HA001	9	20.0	24.7
251610HA001	10	22.5	27.2
251611HA001	11	25.0	29.7
251612HA001	12	27.5	32.2
251613HA001	13	30.0	34.7
251614HA001	14	32.5	37.2
251615HA001	15	35.0	39.7

NOTE:

1. Housing Material: Nylon 66 UL 94V-0
2. Insulation resistance: 1000M Ω/min.
3. Withstand voltage: 1000V AC/minute.
4. Current rating: 3A AC/DC.
5. Voltage rating: 250V AC/DC

				UNLESS OTHERWISE SPECIFIED TOLERANCES		EXCON EXCON TECHNOLOGY COMPANY
				3 PLACE ±0.5 ±0.10		
				2 PLACE ±1.5 ±0.25		
				1 PLACE ±2.0 ±0.50		PART.NO
				ANGLE DIM		
REV.	REVISION			DIS	DATE	PART.NO
SCALE	REV.	PAGE:	UNIT	mm		
5/1	A	1	THIRD ANGLE PROJECTION			2516xxHA001
				DWG NO:		
				C2516HA		

EXCON

www.excon.com.tw
 899 Jing Long Road, Ping Zhen Dist., 32460 Taoyuan City, Taiwan (R.O.C)

10 9 8 7 6 5 4 3 2 1