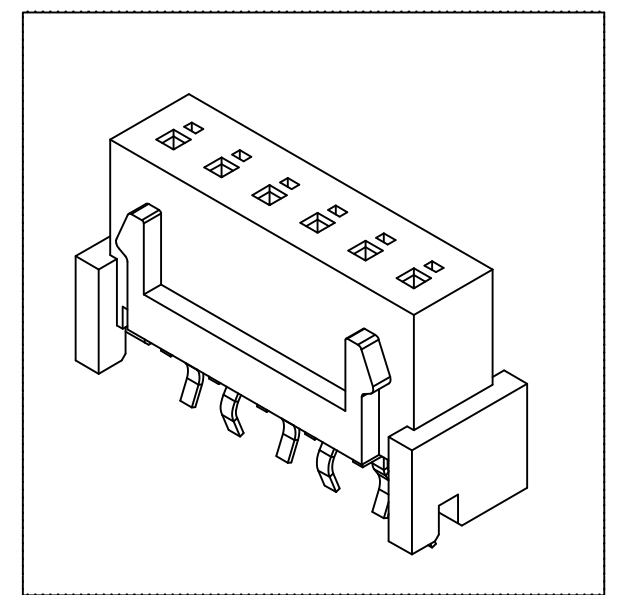
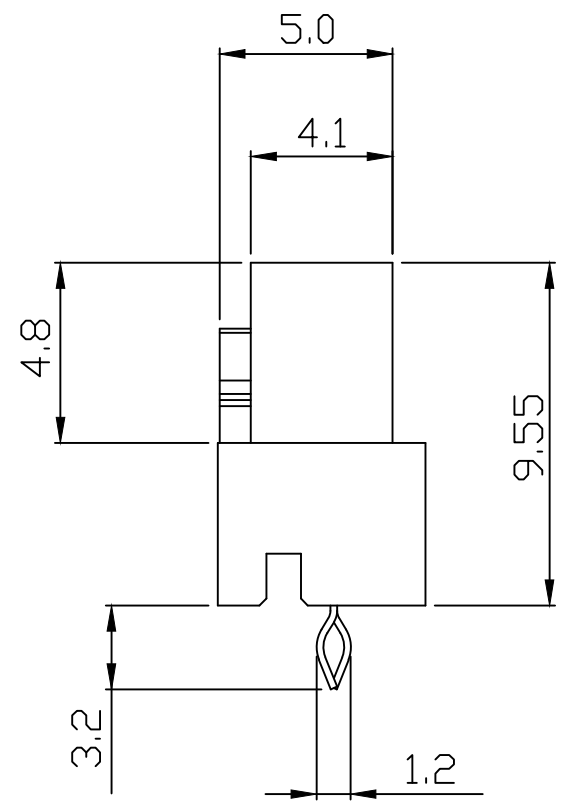
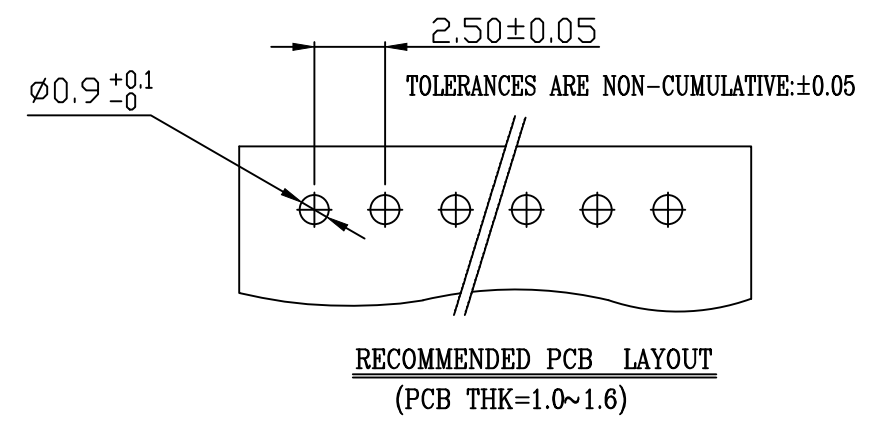
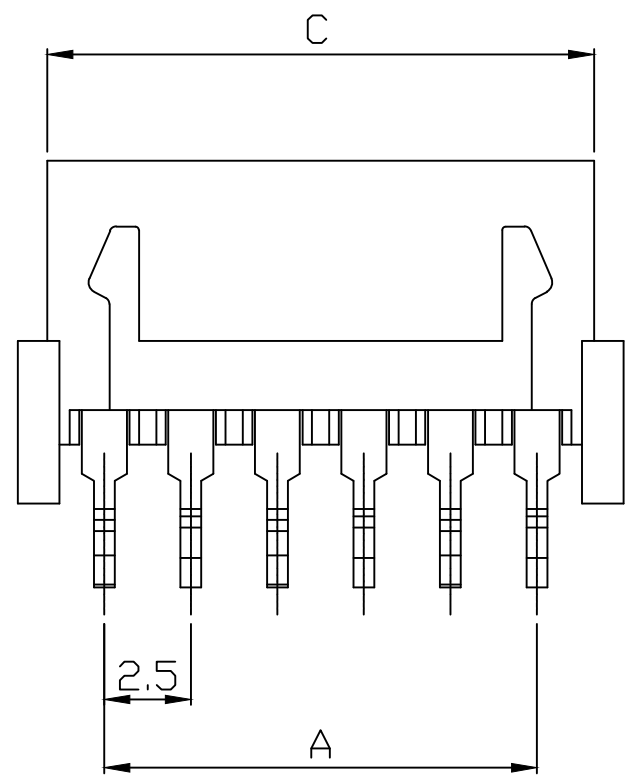
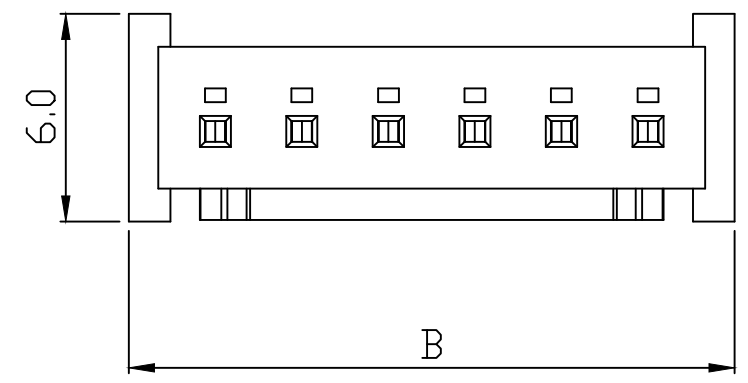


10 9 8 7 6 5 4 3 2 1

PART NO. 2515xxWV001
 DWG NO. C2515WV



Dimensional & Ordering Information:

Part No.	Circuits	Dim A	Dim B	Dim C
251503WV001	3	5.00	10.00	8.20
251504WV001	4	7.50	12.50	10.70
251505WV001	5	10.00	15.00	13.20
251506WV001	6	12.50	17.50	15.70
251507WV001	7	15.00	20.00	18.20
251508WV001	8	17.50	22.50	20.70
251509WV001	9	20.00	25.00	23.20
251510WV001	10	22.50	27.50	25.70
251511WV001	11	25.00	30.00	28.20
251512WV001	12	27.50	32.50	30.70
251513WV001	13	30.00	35.00	33.20
251514WV001	14	32.50	37.50	35.70
251515WV001	15	35.00	40.00	38.20

NOTE:

- Housing Material: Nylon 66 UL94V-0
Pin/Pos Material: brass bronze.
- Plated: Tin-plated 50u"min.
- Insulation resistance: 1000MΩ min.
- Withstand voltage: 800V AC/minute.
- Current rating: 3A AC/DC.
- Voltage rating: 250V AC/DC

REV.	REVISION	DIS	DATE
SCALE	REV.	PAGE:	UNIT
4/1	A	1	mm

UNLESS OTHERWISE SPECIFIED TOLERANCES
 3 PLACE ±0.5 ±0.10
 2 PLACE ±1.5 ±0.35
 1 PLACE ±2.0 ±0.50
 ANGLE DIM

EXCON
 EXCON TECHNOLOGY COMPANY

SCALE	REV.	PAGE:	UNIT	mm	DWG NO:	PART.NO
4/1	A	1	THIRD ANGLE PROJECTION		C2515WV	2515xxWV001

10 9 8 7 6 5 4 3 2 1