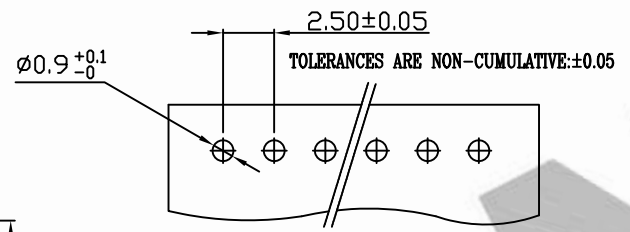
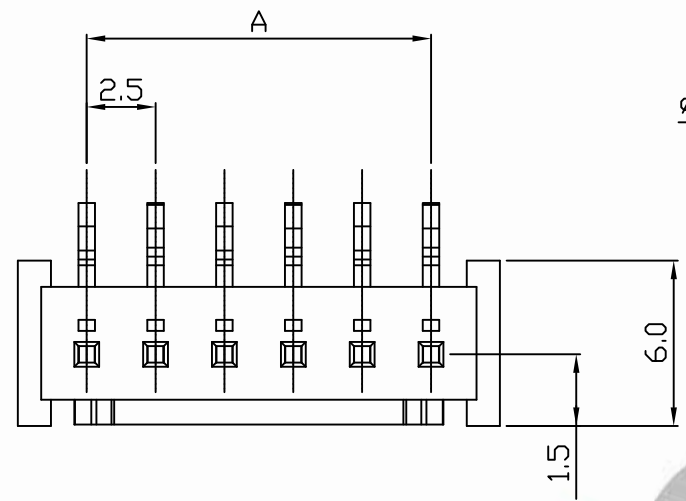
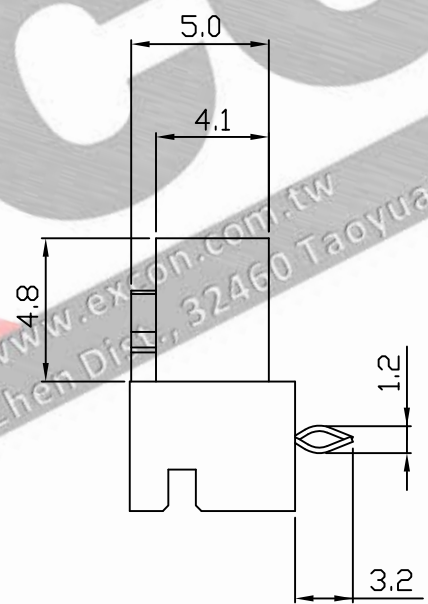
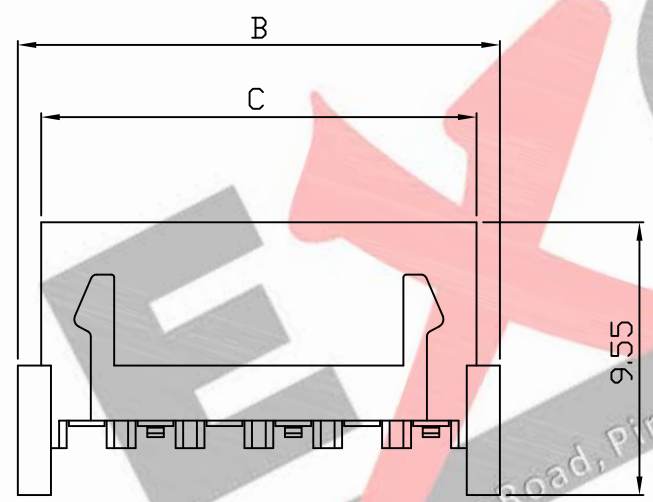
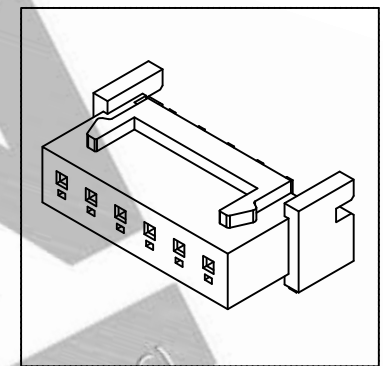


PART NO. 2515xxWR001  
 DWG NO. C2515WR



**RECOMMENDED PCB LAYOUT**  
 (PCB THK=1.0~1.6)



**Dimensional & Ordering Information:**

Part No.	Circuits	Dim A	Dim B	Dim C
251503WR001	3	5.00	10.00	8.20
251504WR001	4	7.50	12.50	10.70
251505WR001	5	10.00	15.00	13.20
251506WR001	6	12.50	17.50	15.70
251507WR001	7	15.00	20.00	18.20
251508WR001	8	17.50	22.50	20.70
251509WR001	9	20.00	25.00	23.20
251510WR001	10	22.50	27.50	25.70
251511WR001	11	25.00	30.00	28.20
251512WR001	12	27.50	32.50	30.70
251513WR001	13	30.00	35.00	33.20
251514WR001	14	32.50	37.50	35.70
251515WR001	15	35.00	40.00	38.20

**NOTE:**

- Housing Material: Nylon 66 UL94V-0  
Pin/Pos Material: brass bronze.
- Plated: Tin-plated 50u"min.
- Insulation resistance: 1000MΩ min.
- Withstand voltage: 800V AC/minute.
- Current rating: 3A AC/DC.
- Voltage rating: 250V AC/DC

UNLESS OTHERWISE SPECIFIED TOLERANCES			
3 PLACE ±0.5 ±0.10			
2 PLACE ±1.5 ±0.35			
1 PLACE ±2.0 ±0.50			
ANGLE DIM			
REV.	REVISION		DIS DATE
SCALE	REV.	PAGE:	UNIT mm
4/1	A	1	THIRD ANGLE PROJECTION

**EXCON**  
**EXCON TECHNOLOGY COMPANY**

PART.NO  
 2515xxWR001