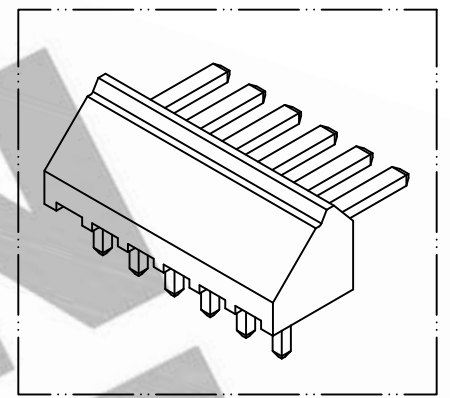
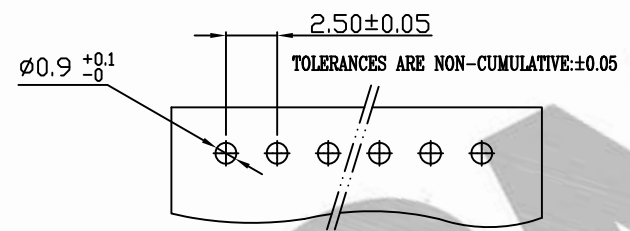
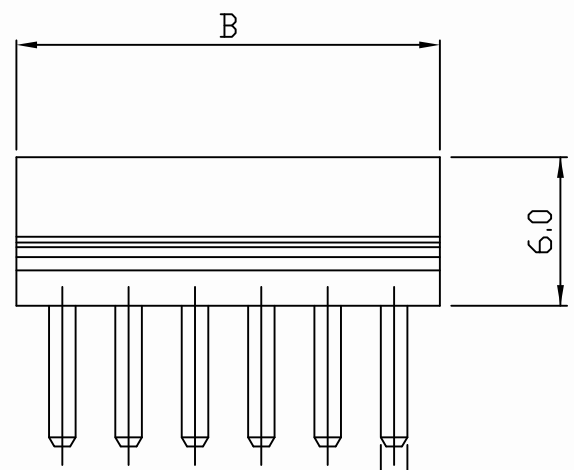
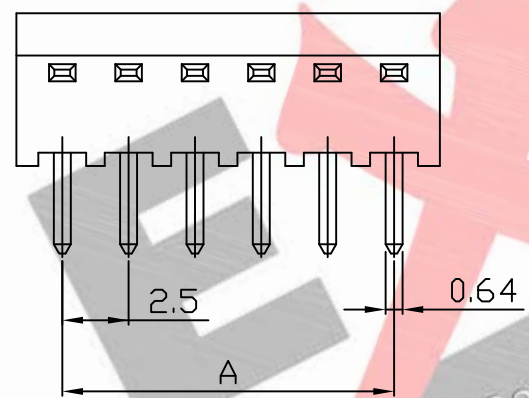
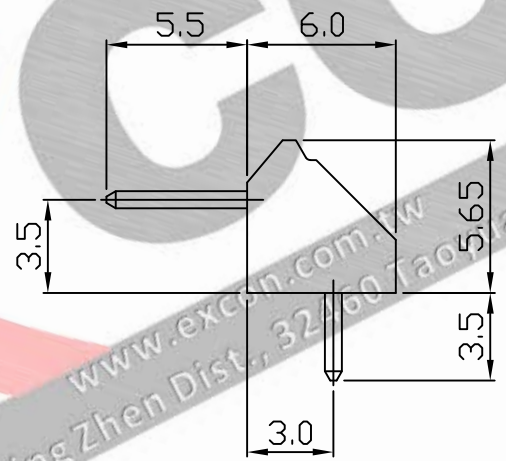


PART NO. 2514xxWR001
 DWG NO. C2514WR



RECOMMENDED PCB LAYOUT
 (PCB THK=1.0~1.6)



Dimensional & Ordering Information:

Part No.	Circuits	Dim A	Dim B
251402WR001	2	2.50	5.0
251403WR001	3	5.00	7.5
251404WR001	4	7.50	10.0
251405WR001	5	10.00	12.5
251406WR001	6	12.50	15.0
251407WR001	7	15.00	17.5
251408WR001	8	17.50	20.0
251409WR001	9	20.00	22.5
251410WR001	10	22.50	25.0
251411WR001	11	25.00	27.5
251412WR001	12	27.50	30.0
251413WR001	13	30.00	32.5
251414WR001	14	32.50	35.0
251415WR001	15	35.00	37.5
251420WR001	20	47.50	50.0

NOTE:

1. Wafer Material: Nylon 66 UL94V0
Pin/Pos Material: brass bronze.
2. Plated: Tin-plated 50u"min.
3. Insulation resistance: 1000MΩ min.
4. Withstand voltage: 500V AC/minute.
5. Current retang: 3A AC/DC.
6. Voltage rating: 250V AC/DC

UNLESS OTHERWISE SPECIFIED TOLERANCES			
3 PLACE ±0.5 ±0.10			
2 PLACE ±1.5 ±0.25			
1 PLACE ±2.0 ±0.50			
ANGLE DIM			
REV.	REVISIONI		DIS DATE
SCALE	REV.	PAGE:	UNIT mm
4/1	A	1	THIRD ANGLE PROJECTION

DWG NO: C2514WR

EXCON
 EXCON TECHNOLOGY COMPANY

PART.NO
 2514xxWR001