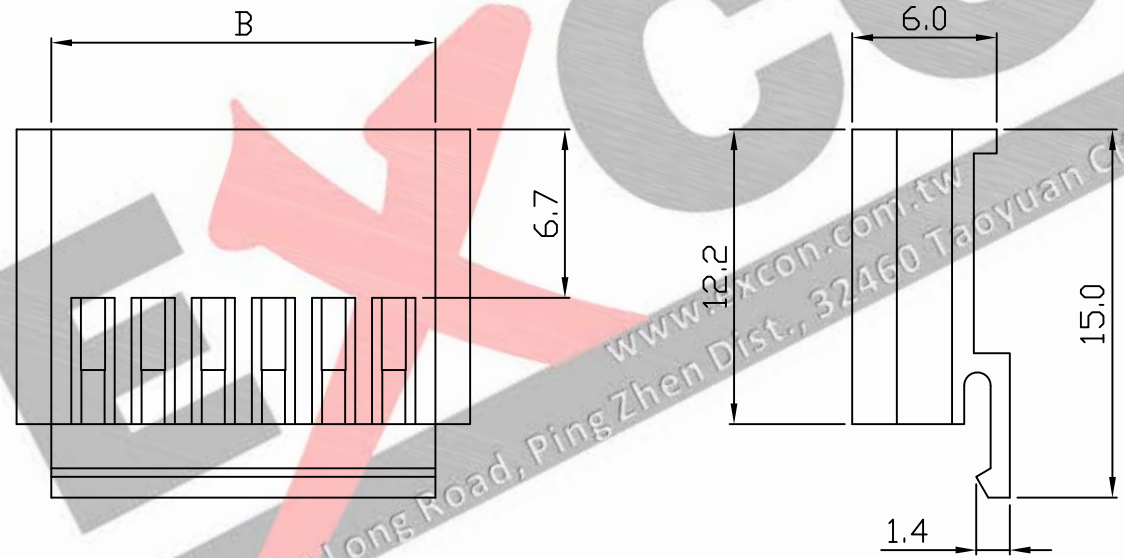
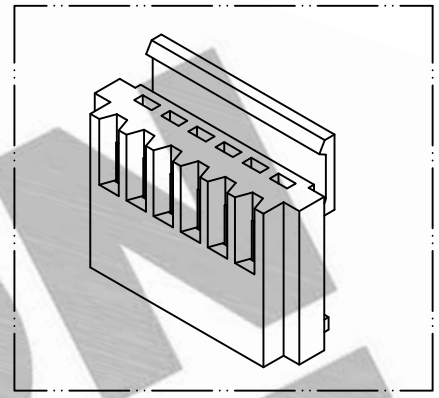
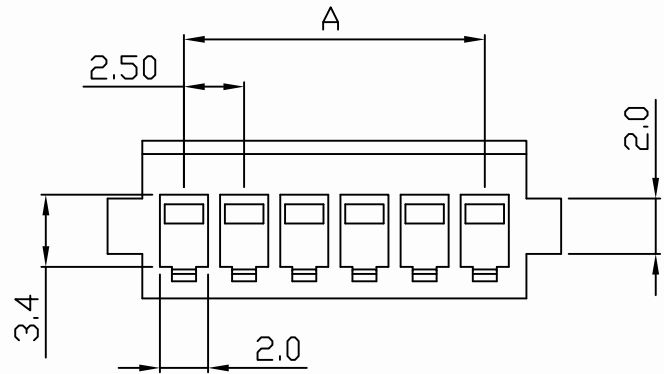


PART NO. 2514xxHA001
 DWG NO. C2514HA



Dimensional & Ordering Information:

Part No.	Circuits	Dim A	Dim B
251402HA001	2	2.5	5.7
251403HA001	3	5.0	8.2
251404HA001	4	7.5	10.7
251405HA001	5	10.0	13.2
251406HA001	6	12.5	15.7
251407HA001	7	15.0	18.2
251408HA001	8	17.5	20.7
251409HA001	9	20.0	23.2
251410HA001	10	22.5	25.7
251411HA001	11	25.0	28.2
251412HA001	12	27.5	30.7
251413HA001	13	30.0	33.2
251414HA001	14	32.5	35.7
251415HA001	15	35.0	38.2
251420HA001	20	47.50	50.70

NOTE:

1. Housing Material: Nylon 66 UL94V0
2. Color: Natural
3. Insulation resistance: 1000MΩ min.
4. Withstand voltage: 500V AC/minute.
5. Current rating: 3A AC/DC.
6. Voltage rating: 250V AC/DC

UNLESS OTHERWISE SPECIFIED TOLERANCES			
3 PLACE ±0.5 ±0.10			
2 PLACE ±1.5 ±0.25			
1 PLACE ±2.0 ±0.50			
ANGLE DIM			
REV.	REVISION		DIS DATE
SCALE	REV.	PAGE:	UNIT mm
4/1	A	1	THIRD ANGLE PROJECTION

DWG NO: C2514HA

EXCON
 EXCON TECHNOLOGY COMPANY

PART.NO
 2514xxHA001