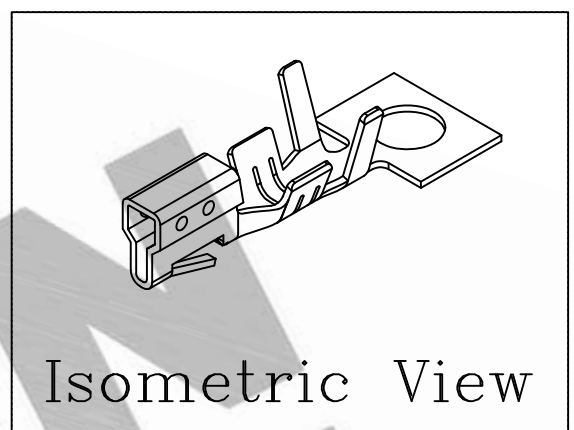
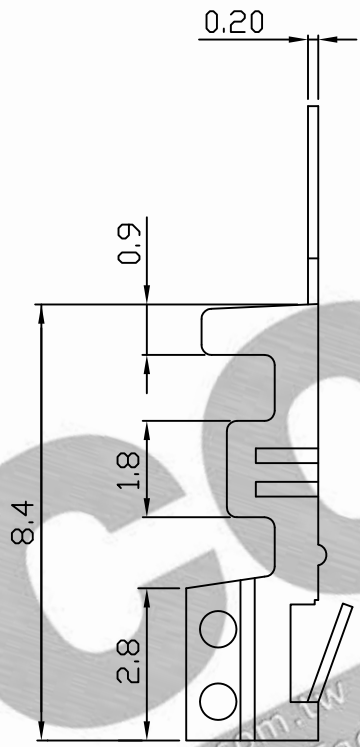
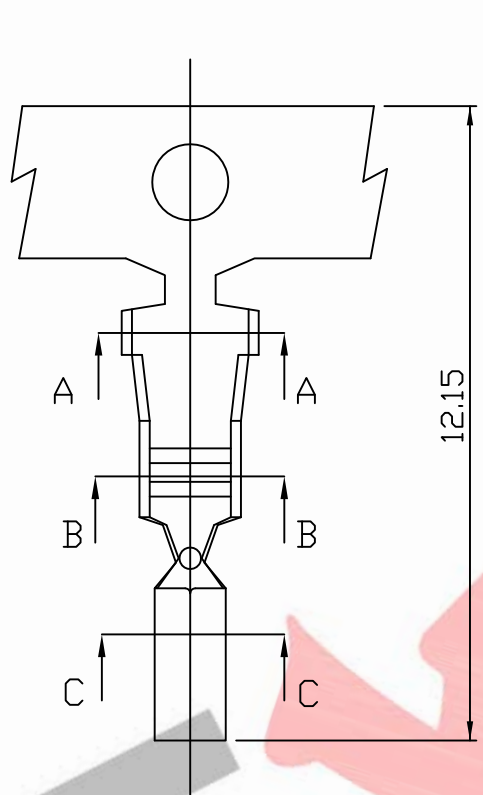
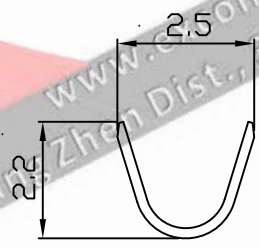


PART NO. 251300TB051
 DWG NO. C2513TB

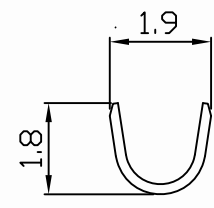


NOTE:

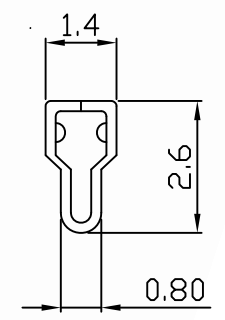
1. Terminal Material: Brass bronze
2. Plated: Ni 25u"min Tin Pre-plated 50u"min.
3. Current rating: 3A AC/DC
4. Voltage rating: 250V AC/DC
5. Withstand voltage: 1000V AC/minute
6. Insulation resistance: 1000MΩ mm i m
7. Applicable wires: #28~#22
8. Insuation O.D.: 1.2-1.9mm
9. Q'ty / reel: 10,000 pcs



SEC A-A



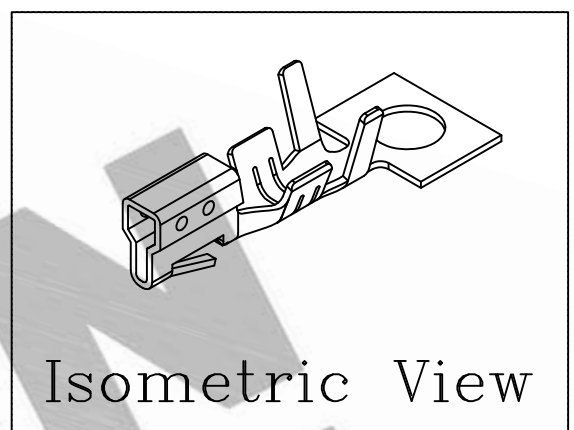
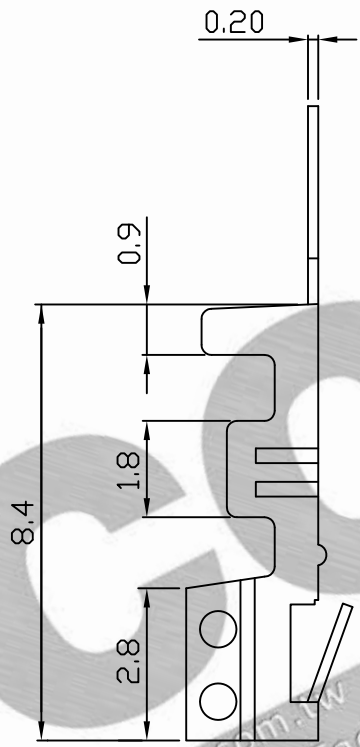
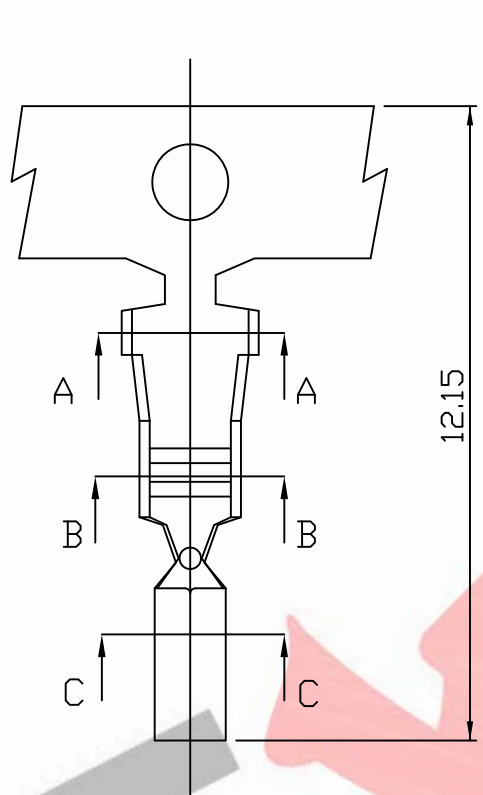
SEC B-B



SEC C-C

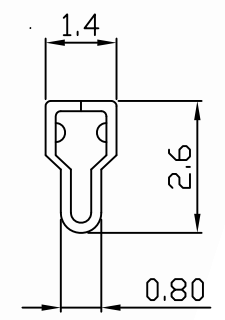
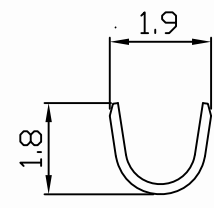
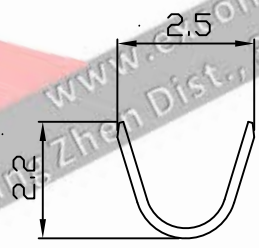
				UNLESS OTHERWISE SPECIFIED TOLERANCES		 EXCON TECHNOLOGY COMPANY	
1.NOTE: 修改 第2項 Tin-Plated → Tin Pre-Plated 新增 第3、4、5、6、8項 2.公差塗消				3 PLACE ±0.5 ±0.10 2 PLACE ±1.5 ±0.35 1 PLACE ±2.0 ±0.50 ANGLE DIM			
REV.	REVISIONI			DIS	DATE		
SCALE	REV.	PAGE:	UNIT	mm	DWG NO:	PART.NO	
4/1	B	1/1	THIRD ANGLE	PROJECTION	C2513TB	251300TB051	

PART NO. 251300TB351
 DWG NO. C2513TB



NOTE:

1. Terminal Material: Phosphor bronze
2. Plated: Ni 25u"min Tin Pre-plated 50u"min.
3. Current rating: 3A AC/DC
4. Voltage rating: 250V AC/DC
5. Withstand voltage: 1000V AC/minute
6. Insulation resistance: 1000MΩ mm m
7. Applicable wires: #28~#22
8. Insuation O.D.: 1.2-1.9mm
9. Q'ty / reel: 10,000 pcs



				UNLESS OTHERWISE SPECIFIED TOLERANCES		 EXCON TECHNOLOGY COMPANY	
1.NOTE: 修改 第2項 Tin-Plated → Tin Pre-Plated 新增 第3、4、5、6、8項 2.公差塗消				3 PLACE ±0.5 ±0.10 2 PLACE ±1.5 ±0.35 1 PLACE ±2.0 ±0.50 ANGLE DIM			
REV.	REVISIONI			DIS	DATE		
SCALE	REV.	PAGE:	UNIT	mm	DWG NO:	PART.NO	
4/1	B	1/1	THIRD ANGLE	PROJECTION	C2513TB	251300TB351	