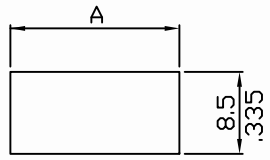
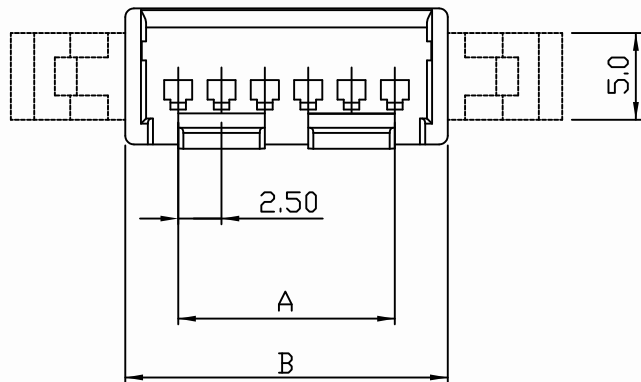


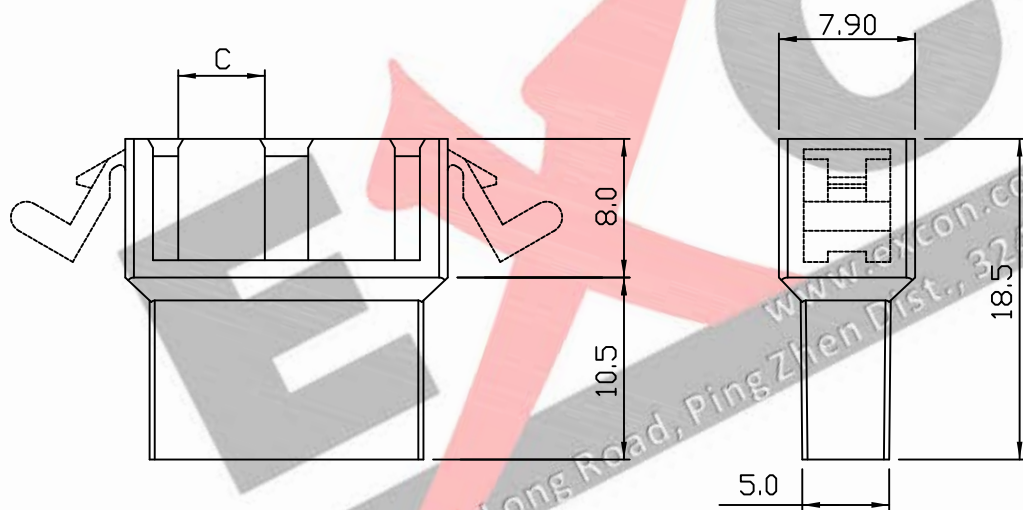
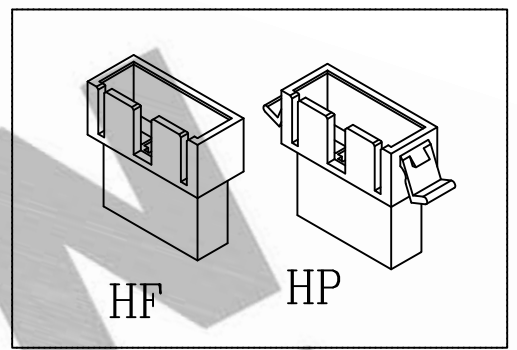
PART NO. 2513xxHP001
 DWG NO. C2513HP



Panel Layout

Layout Dimensions:

Circuits	Dim A	Circuits	Dim A
2	12.40(.488)	10	32.40(1.276)
3	14.90(.587)	11	34.90(1.374)
4	17.40(.685)	12	37.40(1.472)
5	19.90(.783)	13	39.90(1.571)
6	22.40(.882)	14	42.40(1.669)
7	24.90(.980)	15	44.90(1.768)
8	27.40(1.079)	16	47.40(1.866)
9	29.90(1.177)		



Dimensional & Ordering Information:

Part No.		Circuits	Dim A	Dim B	Dim C
Free Hanging	Panel Mount				
251302HF001	251302HP001	2	2.5	8.60	2.50
251303HF001	251303HP001	3	5.0	11.10	5.00
251304HF001	251304HP001	4	7.5	13.60	7.50
251305HF001	251305HP001	5	10.0	16.10	3.75
251306HF001	251306HP001	6	12.5	18.60	5.00
251307HF001	251307HP001	7	15.0	21.10	5.00
251308HF001	251308HP001	8	17.5	23.60	5.00
251309HF001	251309HP001	9	20.0	26.10	5.00
251310HF001	251310HP001	10	22.5	28.60	5.00
251311HF001	251311HP001	11	25.0	31.10	5.00
251312HF001	251312HP001	12	27.5	33.60	5.00
251313HF001	251313HP001	13	30.0	36.10	5.00
251314HF001	251314HP001	14	32.5	38.60	5.00
251315HF001	251315HP001	15	35.0	41.10	5.00
251316HF001	251316HP001	16	37.5	43.60	5.00

NOTE:

1. Housing Material: Nylon 66 UL94V0
2. Color: Natural
3. Insulation resistance: 1000M Ω min.
4. Withstand voltage: 1000V AC/minute.
5. Current rating: 3A AC/DC.
6. Voltage rating: 250V AC/DC

REV.	REVISION	DIS	DATE
4/1	A	1	

UNLESS OTHERWISE SPECIFIED TOLERANCES
 3 PLACE ±0.5 ±0.10
 2 PLACE ±1.5 ±0.35
 1 PLACE ±2.0 ±0.50
 ANGLE DIM

DWG NO: C2513HP

EXCON
 EXCON TECHNOLOGY COMPANY

PART.NO: 2513xxHP001

