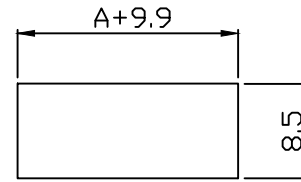
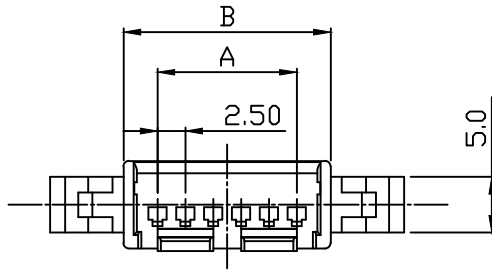
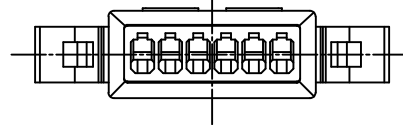
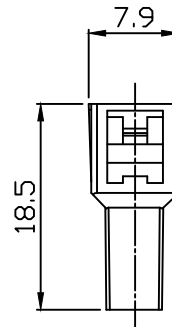
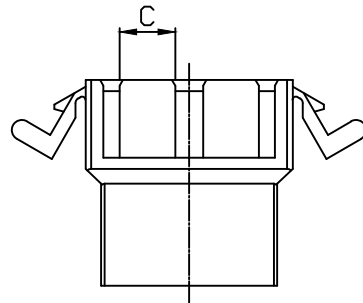
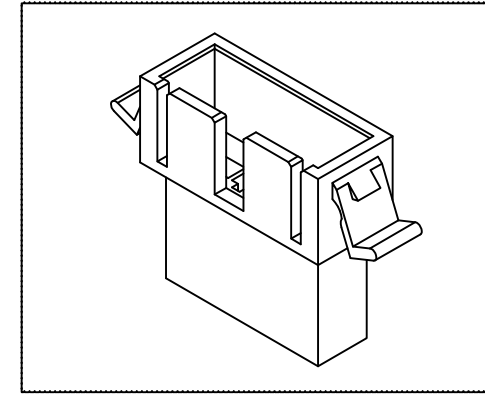


10 9 8 7 6 5 4 3 2 1

PART NO. 2513xxHP001
 DWG NO. C2513HP



Panel Layout



Dimensional & Ordering Information:

Part No.	Circuits	Dim A	Dim B	Dim C
251302HP001	2	2.5	8.60	2.50
251303HP001	3	5.0	11.10	5.00
251304HP001	4	7.5	13.60	7.50
251305HP001	5	10.0	16.10	3.70
251306HP001	6	12.5	18.60	5.00
251307HP001	7	15.0	21.10	5.00
251308HP001	8	17.5	23.60	5.00
251309HP001	9	20.0	26.10	5.00
251310HP001	10	22.5	28.60	5.00
251311HP001	11	25.0	31.10	5.00
251312HP001	12	27.5	33.60	5.00
251313HP001	13	30.0	36.10	5.00
251314HP001	14	32.5	38.60	5.00
251315HP001	15	35.0	41.10	5.00
251316HP001	16	37.5	43.60	5.00
251317HP001	17	37.5	46.10	5.00
251318HP001	18	40.0	48.60	5.00
251319HP001	19	42.5	51.10	5.00
251320HP001	20	45.0	53.60	5.00

NOTE:

1. Wafer Material: Nylon 66 UL94V-2
Pin/Pos Material: brass bronze.
2. Plated: Tin-plated 50u"min.
3. Insulation resistance: 1000MΩ/min.
4. Withstand voltage: 1000V AC/minute.
5. Current retang: 3A AC/DC.
6. Voltage rating: 250V AC/DC

UNLESS OTHERWISE SPECIFIED TOLERANCES
 3 PLACE ±0.5 ±0.10
 2 PLACE ±1.5 ±0.25
 1 PLACE ±2.0 ±0.50
 ANGLE DIM



REV.	REVISIONI		DIS	DATE
SCALE	REV.	PAGE:	UNIT	m m
NONE	B	1	THIRD ANGLE PROJECTION	

DWG NO: C2513HP

PART.NO: 2513xxHP001

10 9 8 7 6 5 4 3 2 1