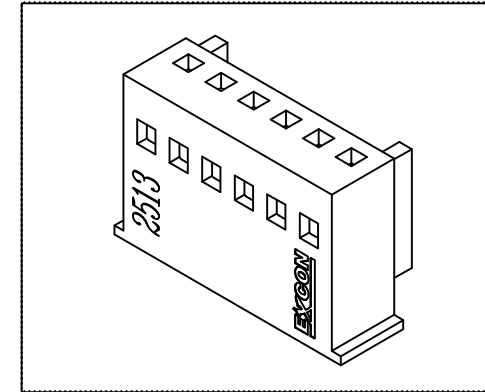
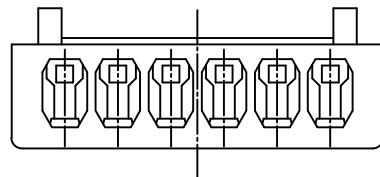
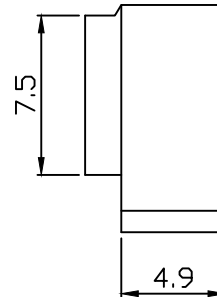
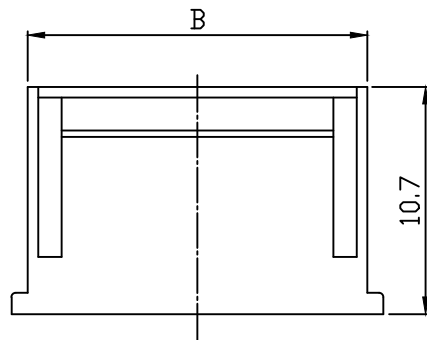
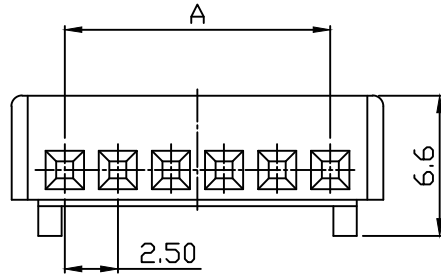


PART NO. 2513xxHM001
 DWG NO. C2513HM



Ordering Information and Dimensions:

Part No.	Circuits	Dim A	Dim B
251302HM001	2	2.5	6.00
251303HM001	3	5.0	8.50
251304HM001	4	7.5	11.00
251305HM001	5	10.0	13.50
251306HM001	6	12.5	16.00
251307HM001	7	15.0	18.50
251308HM001	8	17.5	21.00
251309HM001	9	20.0	23.50
251310HM001	10	22.5	26.00
251311HM001	11	25.0	28.50
251312HM001	12	27.5	31.00
251313HM001	13	30.0	33.50
251314HM001	14	32.5	36.00
251315HM001	15	35.0	38.50
251316HM001	16	37.5	41.00
251317HM001	17	37.5	43.50
251318HM001	18	40.0	46.00
251319HM001	19	42.5	48.50
251320HM001	20	45.0	51.00

NOTE:

1. Wafer Material: Nylon 66 UL94V-2
Pin/Pos Material: brass bronze.
2. Plated: Tin-plated 50u"min.
3. Insulation resistance: 1000MΩ/min.
4. Withstand voltage: 1000V AC/minute.
5. Current retang: 3A AC/DC.
6. Voltage rating: 250V AC/DC

UNLESS OTHERWISE SPECIFIED TOLERANCES
 3 PLACE ±0.5 ±0.10
 2 PLACE ±1.5 ±0.25
 1 PLACE ±2.0 ±0.50
 ANGLE DIM



REV.	REVISIONI		DIS	DATE
SCALE	REV.	PAGE:	UNIT	m m
NONE	B	1	THIRD ANGLE PROJECTION	

DWG NO: C2513HM

PART.NO: 2513xxHM001