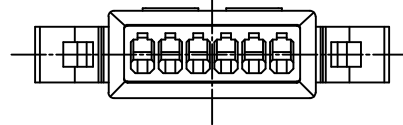
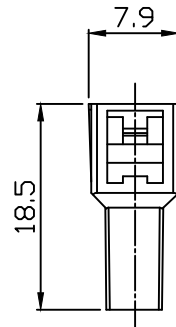
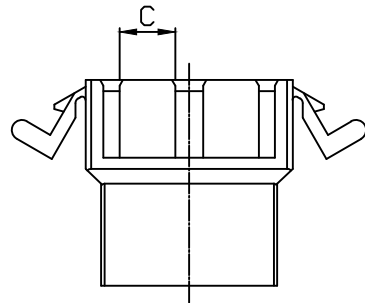
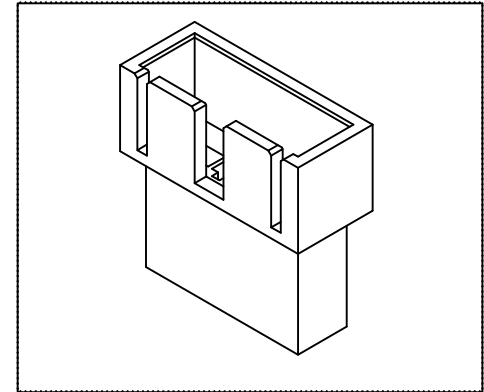
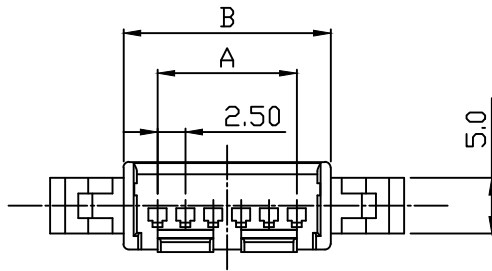


PART NO. 2513xxHF001
 DWG NO. C2513HF



Dimensional & Ordering Information:

Part No.	Circuits	Dim A	Dim B	Dim C
251302HF001	2	2.5	8.60	2.50
251303HF001	3	5.0	11.10	5.00
251304HF001	4	7.5	13.60	7.50
251305HF001	5	10.0	16.10	3.70
251306HF001	6	12.5	18.60	5.00
251307HF001	7	15.0	21.10	5.00
251308HF001	8	17.5	23.60	5.00
251309HF001	9	20.0	26.10	5.00
251310HF001	10	22.5	28.60	5.00
251311HF001	11	25.0	31.10	5.00
251312HF001	12	27.5	33.60	5.00
251313HF001	13	30.0	36.10	5.00
251314HF001	14	32.5	38.60	5.00
251315HF001	15	35.0	41.10	5.00
251316HF001	16	37.5	43.60	5.00
251317HF001	17	37.5	46.10	5.00
251318HF001	18	40.0	48.60	5.00
251319HF001	19	42.5	51.10	5.00
251320HF001	20	45.0	53.60	5.00

NOTE:

1. Wafer Material: Nylon 66 UL94V-2
Pin/Pos Material: brass bronze.
2. Plated: Tin-plated 50u"min.
3. Insulation resistance: 1000MΩ/min.
4. Withstand voltage: 1000V AC/minute.
5. Current retang: 3A AC/DC.
6. Voltage rating: 250V AC/DC

UNLESS OTHERWISE SPECIFIED TOLERANCES
 3 PLACE ±0.5 ±0.10
 2 PLACE ±1.5 ±0.25
 1 PLACE ±2.0 ±0.50
 ANGLE DIM



REV.	REVISIONI		DIS	DATE
SCALE	REV.	PAGE:	UNIT	m m
NONE	B	1	THIRD ANGLE PROJECTION	

DWG NO: C2513HF

PART.NO 2513xxHF001