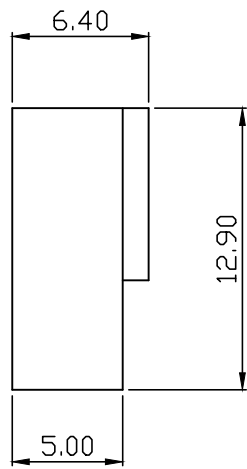
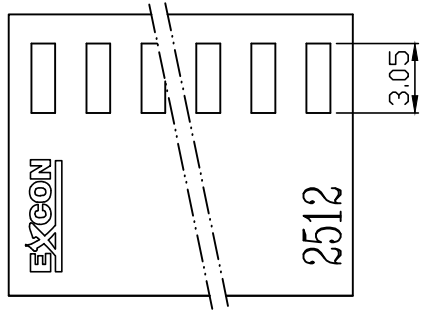
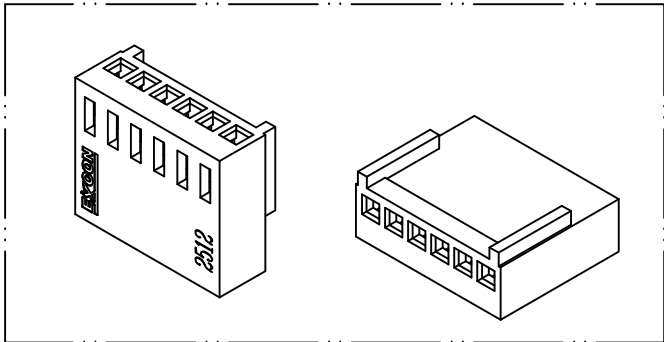
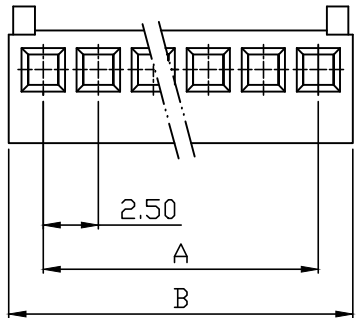


PART NO. 2512xxHA054
 DWG NO. C2512HA



Dimensional & Ordering Information:

Part No.	Circuits	Dim A	Dim B
251202HA054	2	2.50	5.50
251203HA054	3	5.00	8.00
251204HA054	4	7.50	10.50
251205HA054	5	10.00	13.00
251206HA054	6	12.50	15.50
251207HA054	7	15.00	18.00
251208HA054	8	17.50	20.50
251209HA054	9	20.00	23.00
251210HA054	10	22.50	25.50
251211HA054	11	25.00	28.00
251212HA054	12	27.50	30.50
251213HA054	13	30.00	33.00
251214HA054	14	32.50	35.50
251215HA054	15	35.00	38.00

NOTE:

1. Housing Material: Nylon 66 UL 94V-2
2. Insulation resistance: 1000MΩ/min.
3. Withstand voltage: 1000V AC/minute.
4. Current rating: 3A AC/DC.
5. Voltage rating: 250V AC/DC

REV.	REVISION	DIS	DATE

UNLESS OTHERWISE SPECIFIED TOLERANCES
 3 PLACE ±0.5 ±0.10
 2 PLACE ±1.5 ±0.25
 1 PLACE ±2.0 ±0.50
 ANGLE DIM



SCALE	REV.	PAGE	UNIT	mm	DWG NO:	PART.NO
4/1	A	1	THIRD ANGLE PROJECTION		C2512HA	2512xxHA054