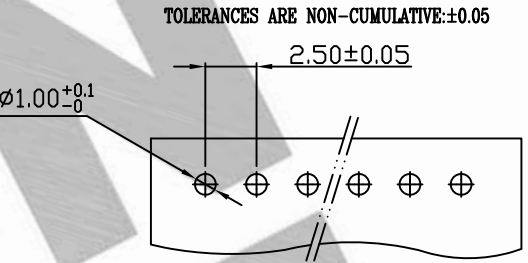
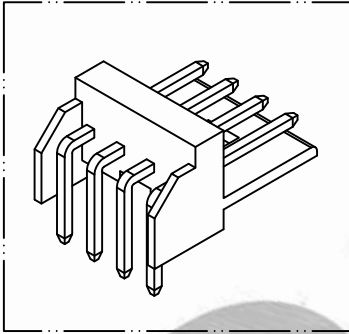
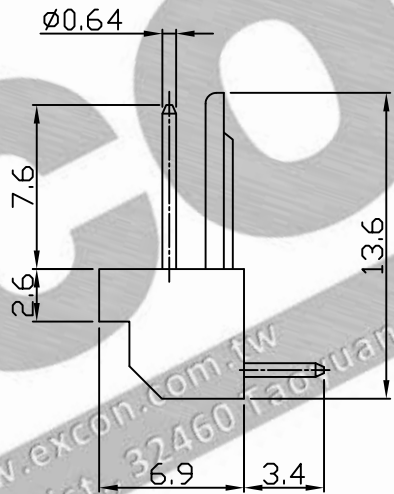
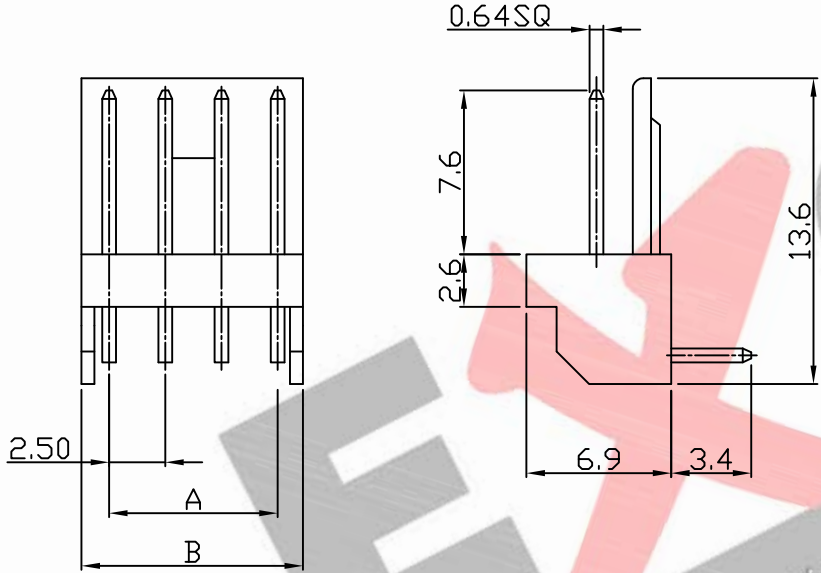


PART NO. 2510xxWR001  
 DWG NO. C2510WR



**RECOMMENDED PCB LAYOUT**  
 (PCB THK=1.0~1.6)



2510xxWR001

2510xxWL001

Dimensional & Ordering Information:

Part No.		Circuits	Dim A	Dim B
PIN: $\phi 0.64$	PIN: SQ0.64			
251002WL001	251002WR001	2	2.50	5.00
251003WL001	251003WR001	3	5.00	7.50
251004WL001	251004WR001	4	7.50	10.00
251005WL001	251005WR001	5	10.00	12.50
251006WL001	251006WR001	6	12.50	15.00
251007WL001	251007WR001	7	15.00	17.50
251008WL001	251008WR001	8	17.50	20.00
251009WL001	251009WR001	9	20.00	22.50
251010WL001	251010WR001	10	22.50	25.00
251011WL001	251011WR001	11	25.00	27.50
251012WL001	251012WR001	12	27.50	30.00

NOTE:

1. Wafer Material: Nylon 66 UL94V-0  
Pin/Pos Material: brass bronze.
2. Plated: Tin-plated 50u"min.
3. Insulation resistance: 1000M  $\Omega$  min.
4. Withstand voltage: 1000V AC/minute.
5. Current rating: 3A AC/DC.
6. Voltage rating: 250V AC/DC

REV.				REVISION I		DIS	DATE	UNLESS OTHERWISE SPECIFIED TOLERANCES 3 PLACE $\pm 0.5 \pm 0.10$ 2 PLACE $\pm 1.5 \pm 0.25$ 1 PLACE $\pm 2.0 \pm 0.50$ ANGLE DIM	 <b>EXCON</b> EXCON TECHNOLOGY COMPANY
SCALE	REV.	PAGE:	UNIT	mm		DWG NO:			
4/1	A	1	THIRD ANGLE PROJECTION			C2510WR		2510xxWR001	