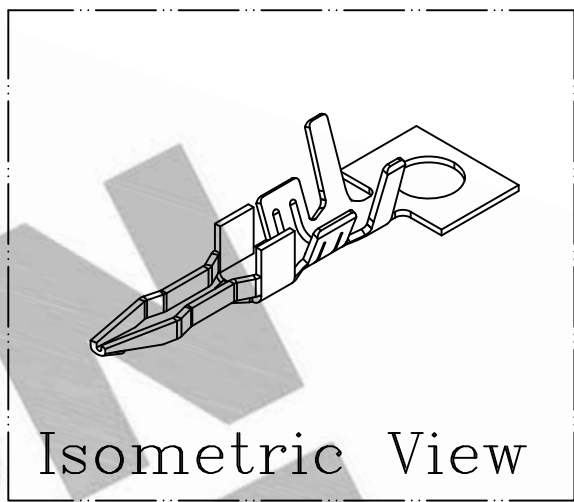
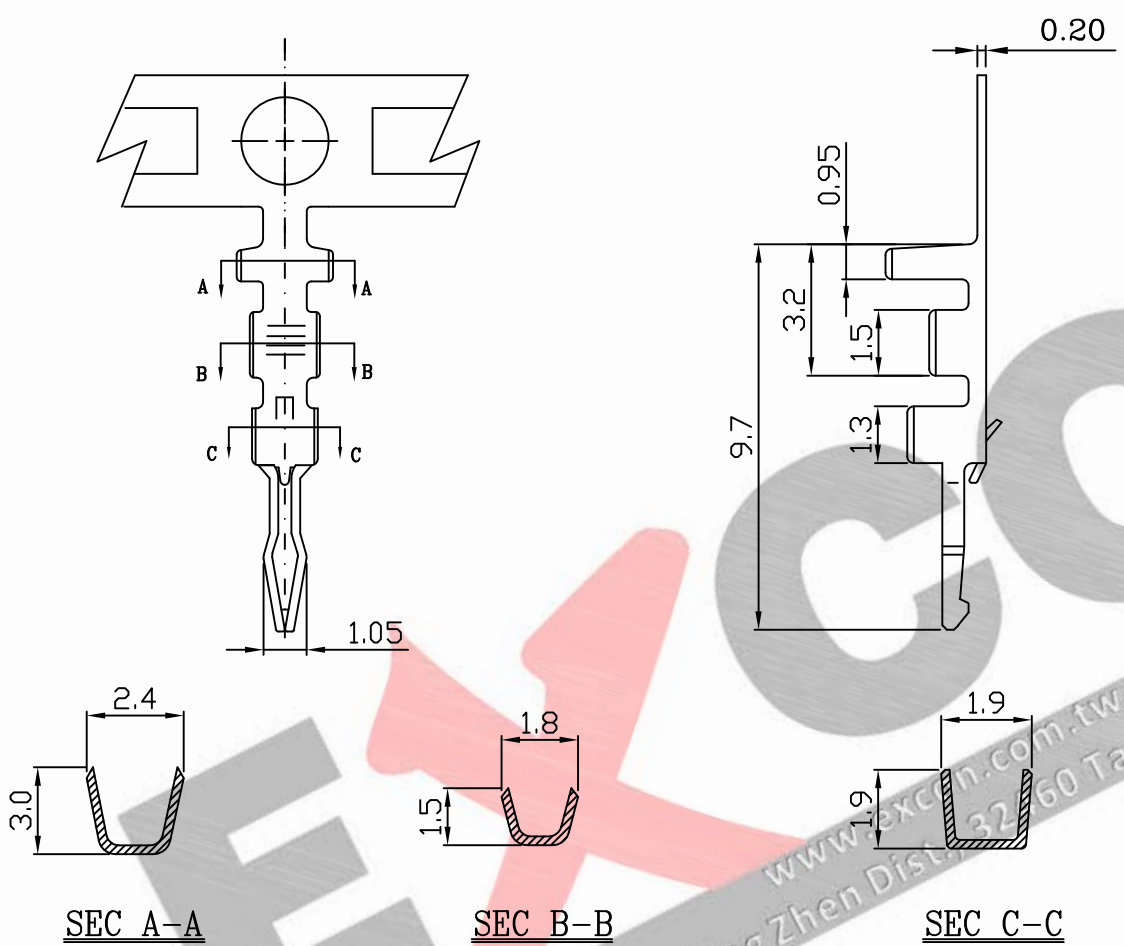


PART NO. 250900TVxxx
 DWG NO. C2509TV



NOTE:

1. Terminal Material: See table
2. Plated: Tin Pre-plated or Tin-plated 50u"min.
3. Current rating : 2.5A AC/DC
4. Voltage rating : 250V AC/DC
5. Withstand voltage : 800V AC/minute
6. Insulation resistance : 1000M Ω /min
7. Applicable wires: AWG#28-#22
8. Insulation O.D.: 1.2-1.9mm
9. Q'ty / reel:10,000pcs

Part No.	Wire Range	Finishing
250900TV001	Brass	Tin plated
250900TV051		Tin pre-plated
250900TV301	Phosphor	Tin plated
250900TV351		Tin pre-plated

REV.	REVISIONI		DIS	DATE
4/1	B	1/1		9/2 2015
SCALE	REV.	PAGE:	UNIT	MM
			THIRD ANGLE	PROJECTION

UNLESS OTHERWISE SPECIFIED TOLERANCES
 3 PLACE $\pm 0.5 \pm 0.10$
 2 PLACE $\pm 1.5 \pm 0.25$
 1 PLACE $\pm 2.0 \pm 0.50$
 ANGLE DIM

EXCON
 EXCON TECHNOLOGY COMPANY

DWG NO: C2509TV
 PART.NO 250900TVXXX