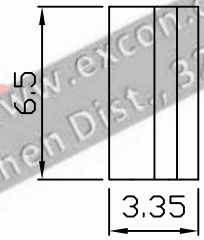
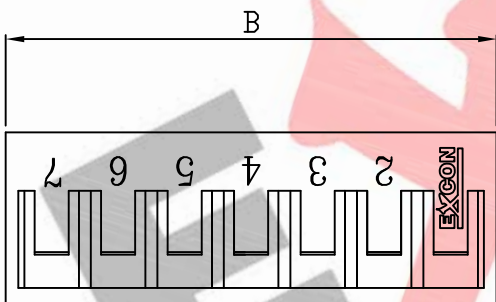
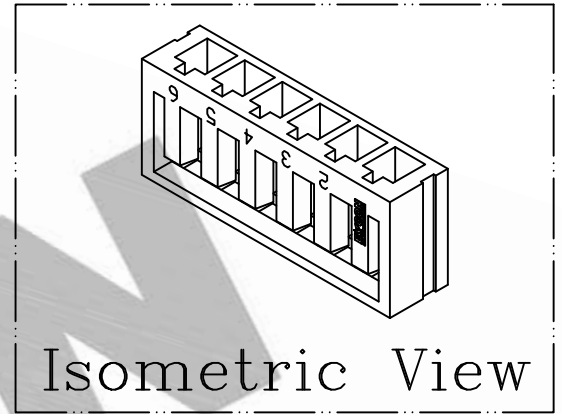
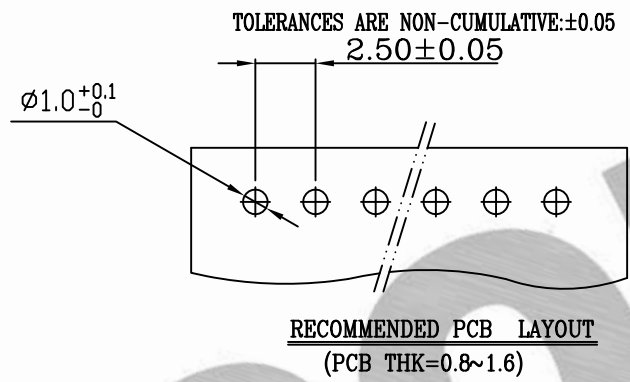
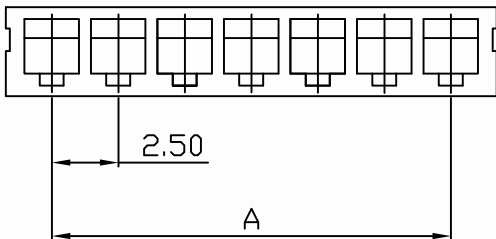


PART NO. 2509xxHV001  
 DWG NO. C2509HV



Dimensional & Ordering Information:

Part No.	Circuits	Dim A	Dim B
250902HV001	2	2.50	5.95
250903HV001	3	5.00	8.45
250904HV001	4	7.50	10.95
250905HV001	5	10.00	13.45
250906HV001	6	12.50	15.95
250907HV001	7	15.00	18.45
250908HV001	8	17.50	20.95
250909HV001	9	20.00	23.45
250910HV001	10	22.50	25.95
250911HV001	11	25.00	28.45
250912HV001	12	27.50	30.95
250913HV001	13	30.00	33.45
250914HV001	14	32.50	35.95
250915HV001	15	35.00	38.45
250916HV001	16	37.50	40.95

NOTE:

1. Housing Material: Nylon 66 UL94V-0
2. Insulation resistance: 1000MΩ /min.
3. Withstand voltage: 800V AC/minute.
4. Current rating: 2.5A AC/DC.
5. Voltage rating: 250V AC/DC
6. Color : Natural

B		DWG RELEASE		UNLESS OTHERWISE SPECIFIED TOLERANCES 3 PLACE ±0.5 ±0.10 2 PLACE ±1.5 ±0.25 1 PLACE ±2.0 ±0.50 ANGLE DIM	
REV.	REVISION			DIS	DATE
4/1	B	1/1	THIRD ANGLE PROJECTION	C2509HV	2509xxHV001

**EXCON**  
 EXCON TECHNOLOGY COMPANY

PART.NO  
 2509xxHV001