

10

9

8

7

6

5

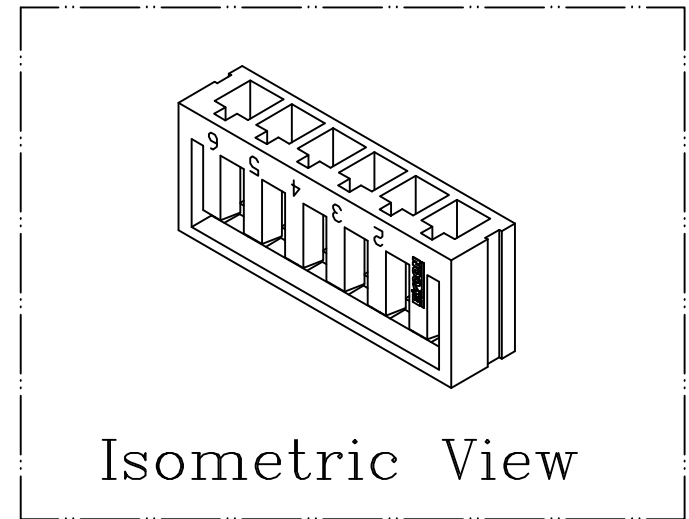
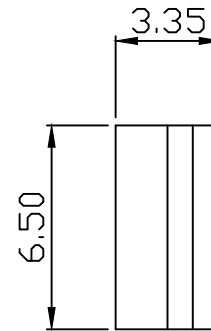
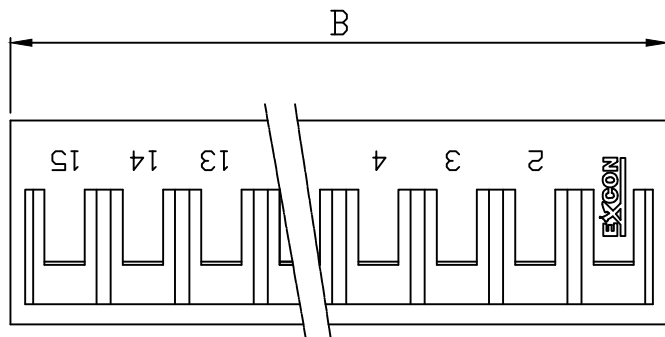
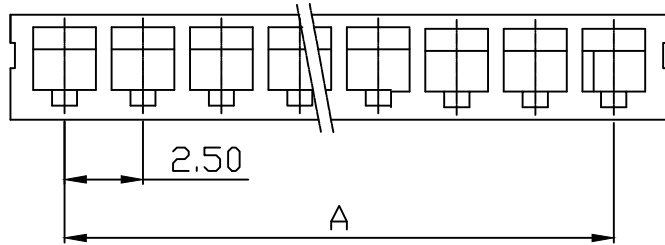
4

3

2

1

PART NO. 250900HV001
 DWG NO. C2509HV



Dimensional & Ordering Information:

Part No.	Circuits	Dim A	Dim B
250902HV001	2	2.5	5.95
250903HV001	3	5.0	8.45
250904HV001	4	7.5	10.95
250905HV001	5	10.0	13.45
250906HV001	6	12.5	15.95
250907HV001	7	15.0	18.45
250908HV001	8	17.5	20.95
250909HV001	9	20.0	23.45
250910HV001	10	22.5	25.95
250911HV001	11	25.0	28.45
250912HV001	12	27.5	30.95
250913HV001	13	30.0	33.45
250914HV001	14	32.5	35.95
250915HV001	15	35.0	38.45
250916HV001	16	37.5	40.95

NOTE:

1. Housing Material: Nylon 66 UL94V0
2. Color: Natural
3. Current rating: 2.5A AC/DC
4. Voltage rating: 250V AC/DC
5. Withstand voltage: 800V AC/minute
6. Insulation resistance:1000MΩ

REV.	REVISION:			DIS	DATE
SCALE	REV.	PAGE:	UNIT	mm	
5/1	D	1/1	THIRD ANGLE	PROJECTION	

UNLESS OTHERWISE SPECIFIED TOLERANCES
 3 PLACE ±0.5 ±0.10
 2 PLACE ±1.5 ±0.25
 1 PLACE ±2.0 ±0.50
 ANGLE DIM

EXCON
 EXCON TECHNOLOGY COMPANY

DWG NO: C2509HV
 PART.NO: 250900HV001

10

9

8

7

6

5

4

3

2

1