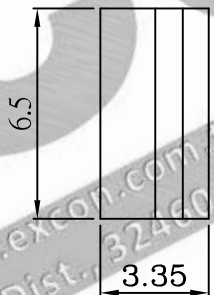
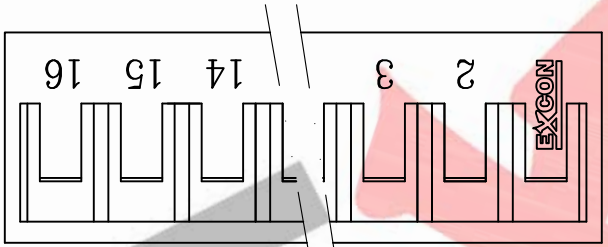
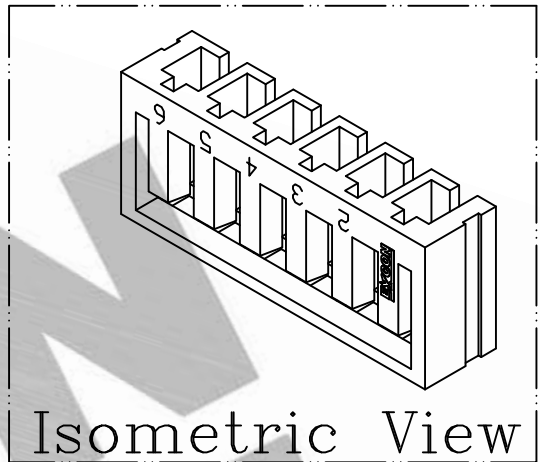
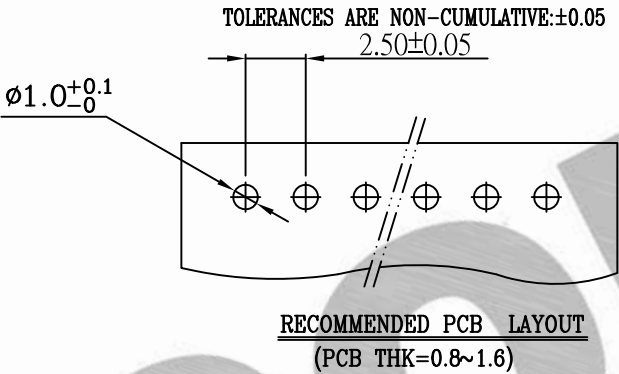
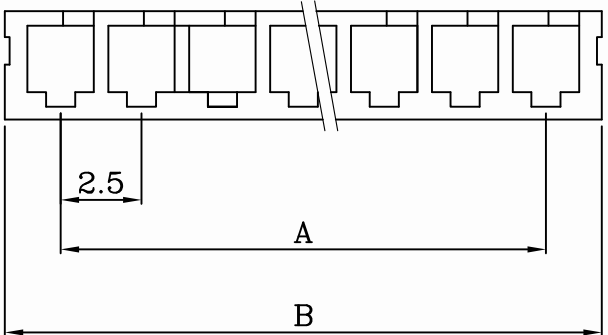


PART NO. 2509xxHR001
 DWG NO. C2509HR



Dimensional & Ordering Information:

Part No.	Circuits	Dim A	Dim B
250902HR001	2	2.50	5.95
250903HR001	3	5.00	8.45
250904HR001	4	7.50	10.95
250905HR001	5	10.00	13.45
250906HR001	6	12.50	15.95
250907HR001	7	15.00	18.45
250908HR001	8	17.50	20.95
250909HR001	9	20.00	23.45
250910HR001	10	22.50	25.95
250911HR001	11	25.00	28.45
250912HR001	12	27.50	30.95
250913HR001	13	30.00	33.45
250914HR001	14	32.50	35.95
250915HR001	15	35.00	38.45
250916HR001	16	37.50	40.95

NOTE:

- Housing Material: Nylon 66 UL94V-0
- Insulation resistance: 1000MΩ/min.
- Withstand voltage: 800V AC/minute.
- Current rating: 2.5A AC/DC.
- Voltage rating: 250V AC/DC
- Color : Natural

B		DWG RELEASE		UNLESS OTHERWISE SPECIFIED TOLERANCES 3 PLACE ±0.5 ±0.10 2 PLACE ±1.5 ±0.25 1 PLACE ±2.0 ±0.50 ANGLE DIM	
REV.	REVISION			DIS	DATE
SCALE	REV.	PAGE:	UNIT	MM	
4/1	B	1/1	THIRD ANGLE	PROJECTION	
				DWG NO:	
				C2509HR	

EXCON
 EXCON TECHNOLOGY COMPANY

PART.NO
 2509xxHR001