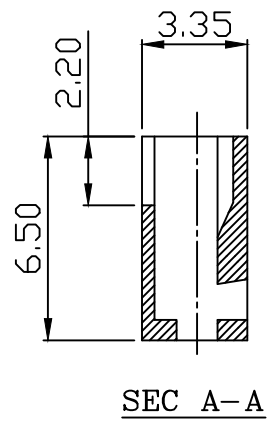
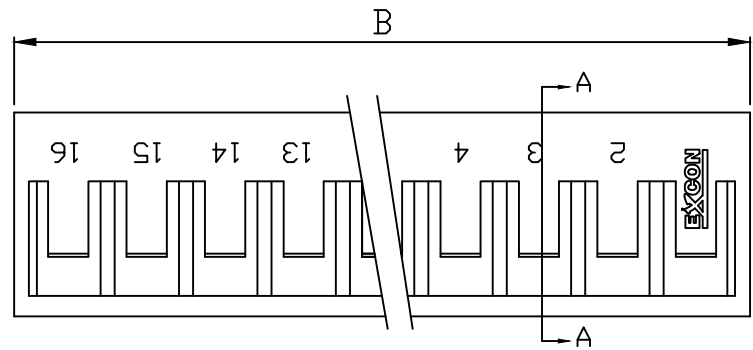
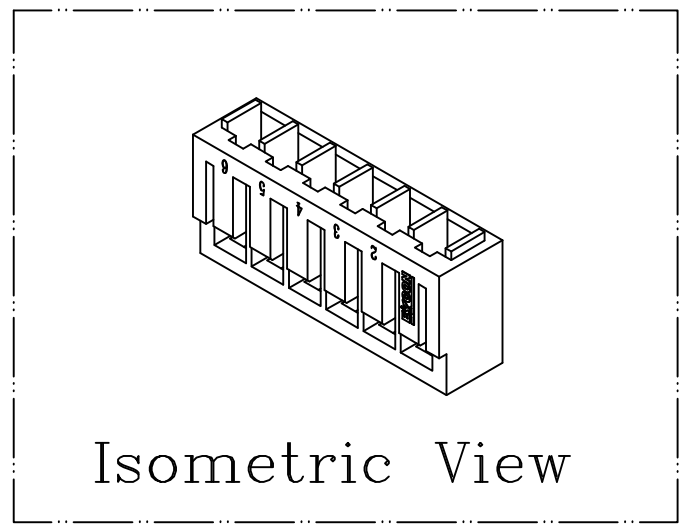
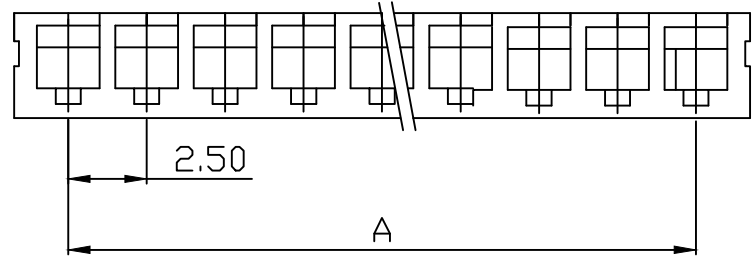


10 9 8 7 6 5 4 3 2 1

PART NO. 250900HR001  
 DWG NO. C2509HR



Dimensional & Ordering Information:

Part No.	Circuits	Dim A	Dim B
250902HR001	2	2.5	5.95
250903HR001	3	5.0	8.45
250904HR001	4	7.5	10.95
250905HR001	5	10.0	13.45
250906HR001	6	12.5	15.95
250907HR001	7	15.0	18.45
250908HR001	8	17.5	20.95
250909HR001	9	20.0	23.45
250910HR001	10	22.5	25.95
250911HR001	11	25.0	28.45
250912HR001	12	27.5	30.95
250913HR001	13	30.0	33.45
250914HR001	14	32.5	35.95
250915HR001	15	35.0	38.45
250916HR001	16	37.5	40.95

NOTE:

1. Housing Material: Nylon 66 UL94V0
2. Color: Natural
3. Current rating: 2.5A AC/DC
4. Voltage rating: 250V AC/DC
5. Withstand voltage: 800V AC/minute
6. Insulation resistance: 1000MΩ

REV.	REVISION			DIS	DATE
SCALE	REV.	PAGE:	UNIT	mm	
5/1	D	1/1	THIRD ANGLE	PROJECTION	

UNLESS OTHERWISE SPECIFIED TOLERANCES  
 3 PLACE ±0.5 ±0.10  
 2 PLACE ±1.5 ±0.25  
 1 PLACE ±2.0 ±0.50  
 ANGLE DIM

DWG NO:  
 C2509HR

**EXCON**  
 EXCON TECHNOLOGY COMPANY

PART.NO  
 250900HR001

10 9 8 7 6 5 4 3 2 1