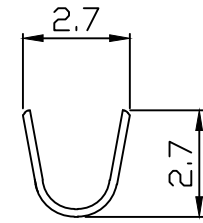
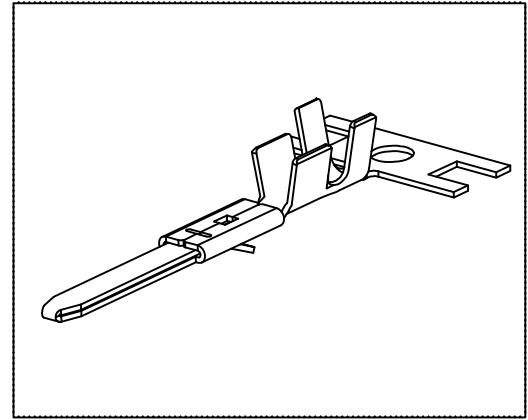
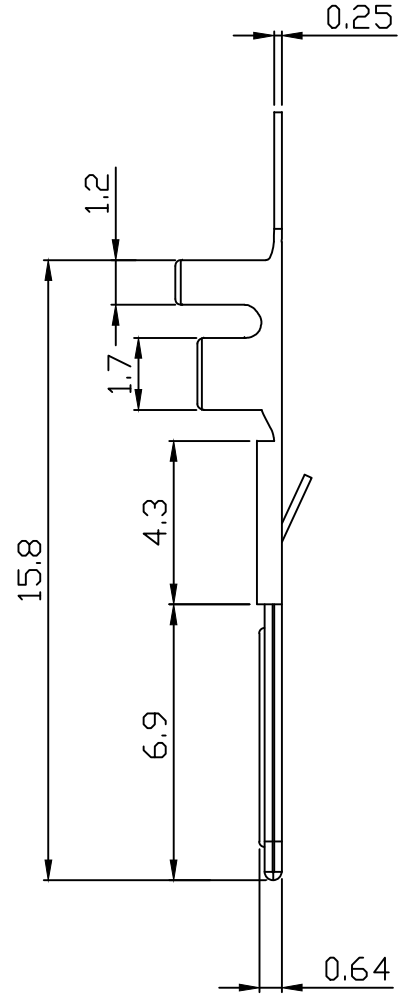
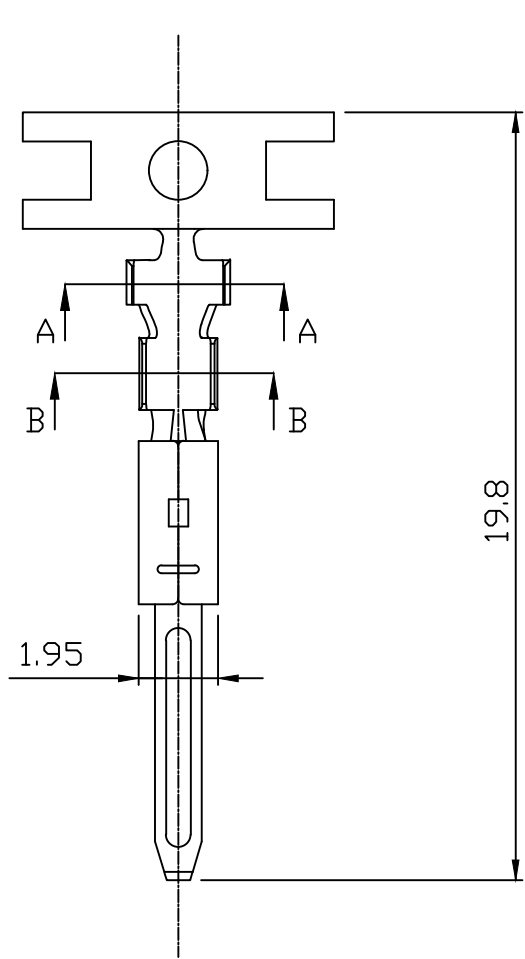
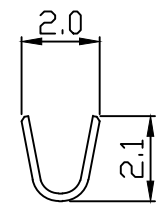


10 9 8 7 6 5 4 3 2 1

PART NO. 250800TA051
 DWG NO. C2508TA



SEC A-A



SEC B-B

NOTE 1 :

1. Terminal Material: Brass
2. Plated: Ni 25u"min Tin pre-plated 50u"min.
3. Applicable wires: #28~#22
4. Q'ty / reel: 10,000 pcs

					UNLESS OTHERWISE SPECIFIED TOLERANCES		EXCON EXCON TECHNOLOGY COMPANY
					3 PLACE ±0.5 ±0.10		
					2 PLACE ±1.5 ±0.35		PART.NO
					1 PLACE ±2.0 ±0.50		
					ANGLE DIM		250800TA051
REV.	REVISIONI			DIS	DATE	DWG NO:	
SCALE	REV.	PAGE:	UNIT	mm		C2508TA	
4/1	A	1	THIRD ANGLE PROJECTION				

10 9 8 7 6 5 4 3 2 1