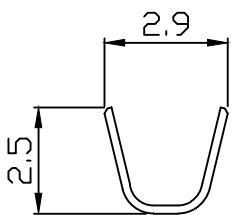
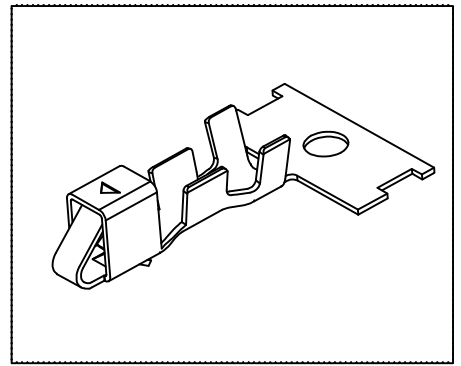
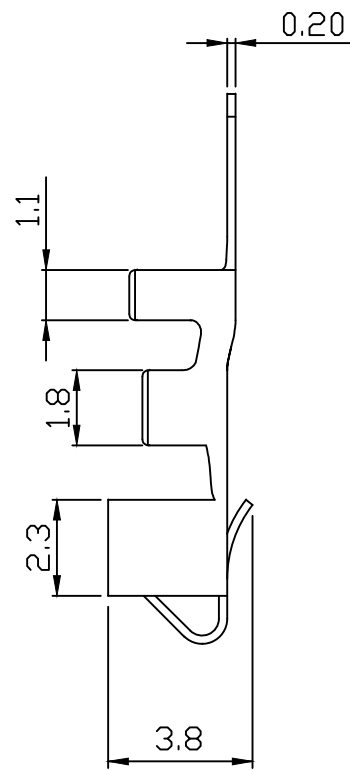
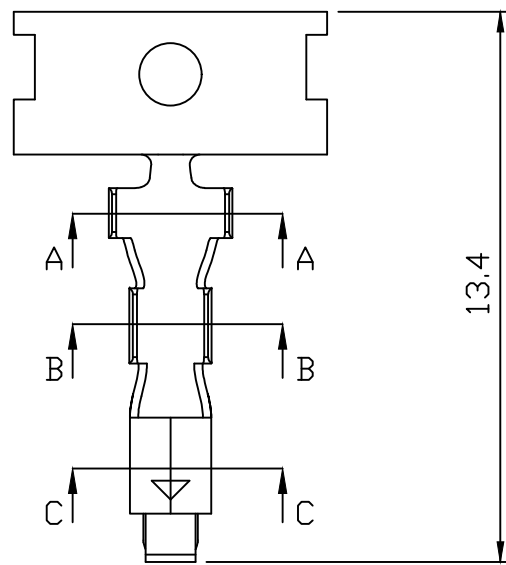
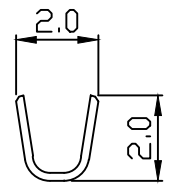


10 9 8 7 6 5 4 3 2 1

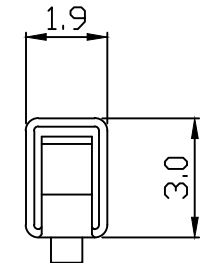
PART NO. 250700TB051  
 DWG NO. C2507TB



SEC A-A



SEC B-B



SEC C-C

NOTE 1 :

1. Terminal Material: Brass
2. Plated: Ni 25u"min Tin pre-plated 50u"min.
3. Applicable wires: #28~#22
4. Q'ty / reel: 7,000 pcs

				UNLESS OTHERWISE SPECIFIED TOLERANCES		
				3 PLACE ±0.5 ±0.10		
				2 PLACE ±1.5 ±0.35		
				1 PLACE ±2.0 ±0.50		
REV.	REVISION			DIS	DATE	ANGLE DIM
SCALE	REV.	PAGE:	UNIT	mm		DWG NO:
4/1	A	1	THIRD ANGLE PROJECTION			C2507TB

PART.NO	
250700TB051	

10 9 8 7 6 5 4 3 2 1