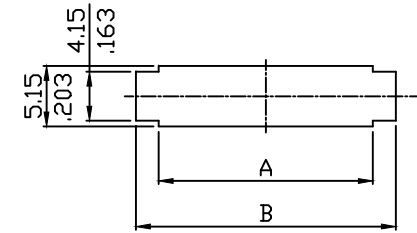
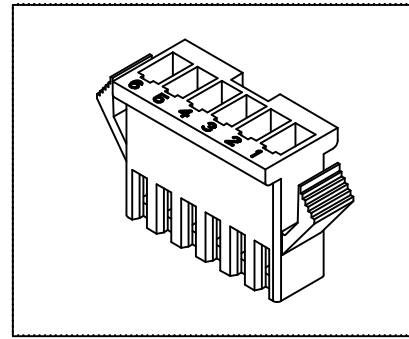
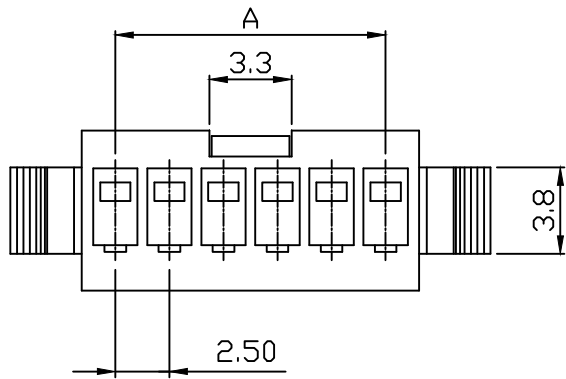


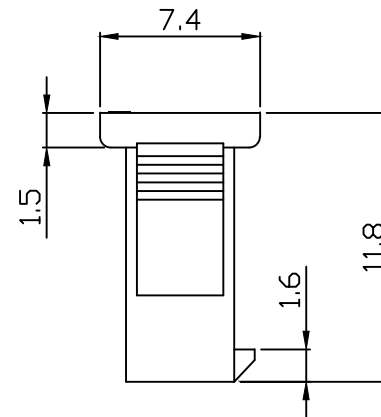
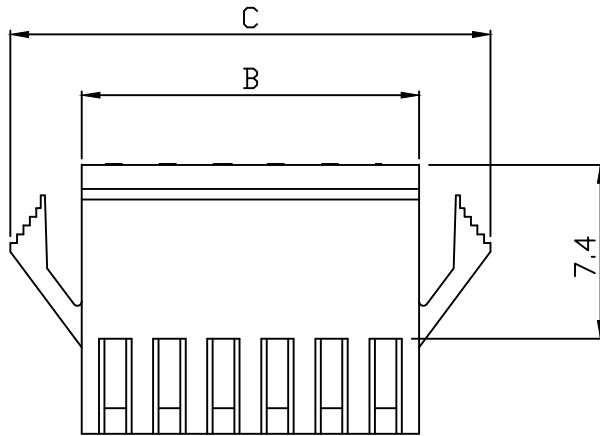
PART NO. 2507xxHM003  
 DWG NO. C2507HM



Panel Hole Layout

Layout Dimensions:

Circuits	Dim A	Dim B	Circuits	Dim A	Dim B
2	5.7(.224)	9.6(.378)	8	20.7(.815)	24.6(.969)
3	8.2(.323)	12.1(.476)	9	23.2(.913)	27.1(1.067)
4	10.7(.421)	14.6(.575)	10	25.7(1.012)	29.6(1.165)
5	13.2(.520)	17.1(.673)	11	28.2(1.110)	32.1(1.264)
6	15.7(.618)	19.6(.772)	12	30.7(1.209)	34.6(1.362)
7	18.2(.717)	22.1(.870)			



Dimensional & Ordering Information:

Part No.	Circuits	Dim A	Dim B	Dim C
250702HM003	2	2.5	5.5	11.5
250703HM003	3	5.0	8.0	14.0
250704HM003	4	7.5	10.5	16.5
250705HM003	5	10.0	13.0	19.0
250706HM003	6	12.5	15.5	21.5
250707HM003	7	15.0	18.0	24.0
250708HM003	8	17.5	20.5	26.5
250709HM003	9	20.0	23.0	29.0
250710HM003	10	22.5	25.5	31.5
250711HM003	11	25.0	28.0	34.0
250712HM003	12	27.5	30.5	36.5

NOTE:

1. Housing Material: Nylon 66 UL94V0
2. Insulation resistance: 500M  $\Omega$ min.
3. Withstand voltage: 1500V AC/minute.
4. Current rating: 3A AC/DC.
5. Voltage rating: 250V AC/DC
6. Color: Black

REV.	REVISION	DIS	DATE

UNLESS OTHERWISE SPECIFIED TOLERANCES  
 3 PLACE  $\pm 0.5 \pm 0.10$   
 2 PLACE  $\pm 1.5 \pm 0.35$   
 1 PLACE  $\pm 2.0 \pm 0.50$   
 ANGLE DIM

**EXCON**  
 EXCON TECHNOLOGY COMPANY

SCALE	REV.	PAGE:	UNIT	mm
4/1	A	1	THIRD ANGLE PROJECTION	

DWG NO:  
 C2507HM

PART.NO  
 2507xxHM003