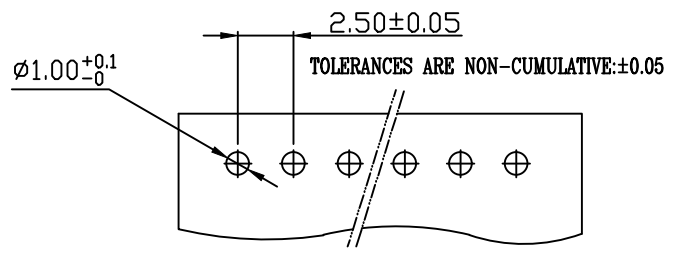
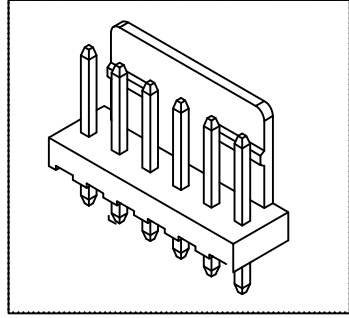
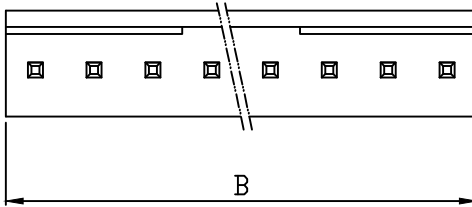
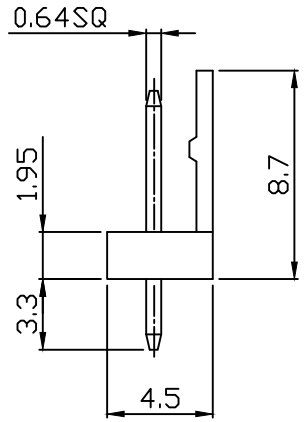
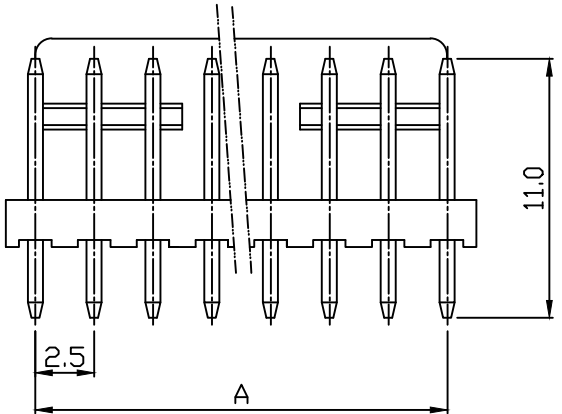


10 9 8 7 6 5 4 3 2 1

PART NO. 2505xxWV054  
 DWG NO. C2505WV



**RECOMMENDED PCB LAYOUT**  
 (PCB THK=1.0~1.6)



**Dimensional & Ordering Information:**

Part No.	Circuits	Dim A	Dim B
250502WV054	2	2.50	5.00
250503WV054	3	5.00	7.50
250504WV054	4	7.50	10.00
250505WV054	5	10.00	12.50
250506WV054	6	12.50	15.00
250507WV054	7	15.00	17.50
250508WV054	8	17.50	20.00
250509WV054	9	20.00	22.50
250510WV054	10	22.50	25.00
250511WV054	11	25.00	27.50
250512WV054	12	27.50	30.00
250513WV054	13	30.00	32.50
250514WV054	14	32.50	35.00
250515WV054	15	35.00	37.50
250516WV054	16	37.50	40.00
250517WV054	17	40.00	42.50
250518WV054	18	42.50	45.00
250519WV054	19	45.00	47.50
250520WV054	20	47.50	50.00

**NOTE:**

1. Wafer Material: Nylon 66 UL94V-2  
Pin/Pos Material: brass bronze.
2. Plated: Tin-plated 50u"min.
3. Insulation resistance: 1000M  $\Omega$  min.
4. Withstand voltage: 800V AC/minute.
5. Current rating: 3A AC/DC.
6. Voltage rating: 250V AC/DC

REV.	REVISION		DIS	DATE	UNLESS OTHERWISE SPECIFIED TOLERANCES 3 PLACE $\pm 0.5 \pm 0.10$ 2 PLACE $\pm 1.5 \pm 0.35$ 1 PLACE $\pm 2.0 \pm 0.50$ ANGLE DIM
SCALE	REV.	PAGE	UNIT	mm	
4/1	A	1	THIRD ANGLE PROJECTION		
				DWG NO:	



				DWG NO:	C2505WV	PART.NO	2505xxWV054
--	--	--	--	---------	---------	---------	-------------

10 9 8 7 6 5 4 3 2 1