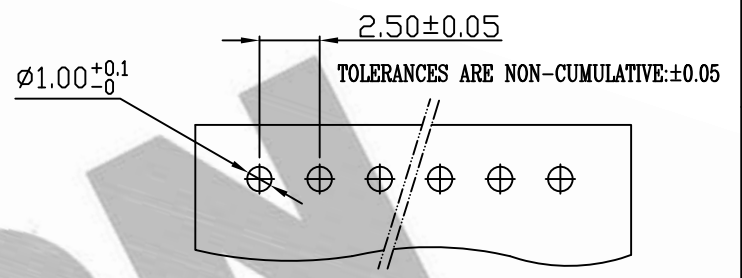
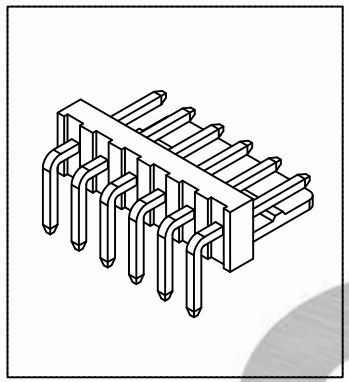
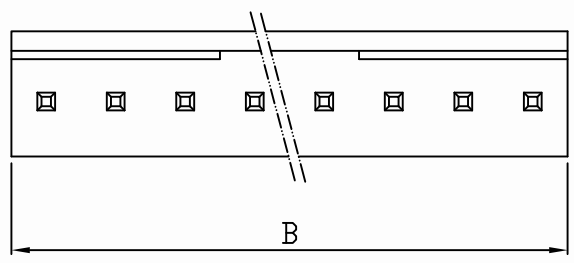
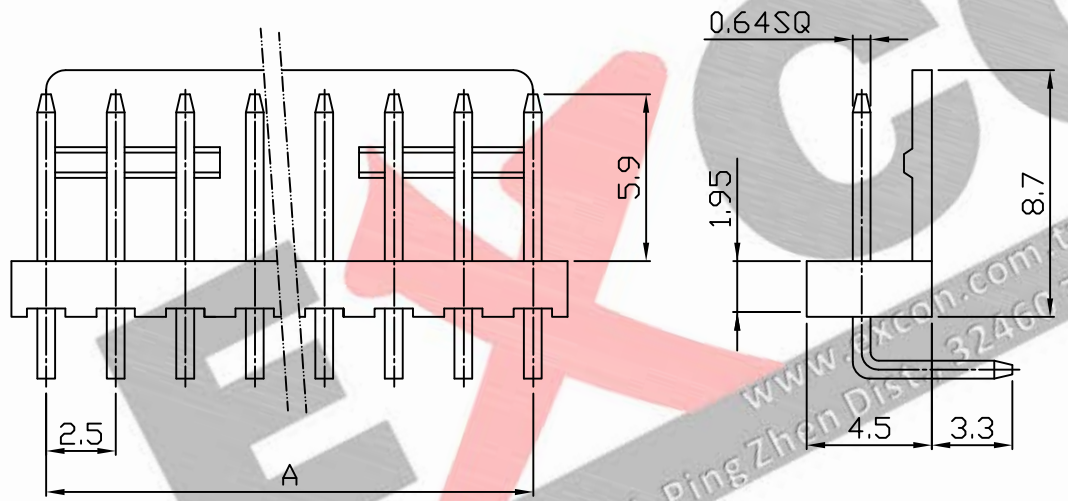


PART NO. 2505xxWR054
 DWG NO. C2505WV



RECOMMENDED PCB LAYOUT
 (PCB THK=1.0~1.6)



Dimensional & Ordering Information:

Part No.	Circuits	Dim A	Dim B
250502WR054	2	2.50	5.00
250503WR054	3	5.00	7.50
250504WR054	4	7.50	10.00
250505WR054	5	10.00	12.50
250506WR054	6	12.50	15.00
250507WR054	7	15.00	17.50
250508WR054	8	17.50	20.00
250509WR054	9	20.00	22.50
250510WR054	10	22.50	25.00
250511WR054	11	25.00	27.50
250512WR054	12	27.50	30.00
250513WR054	13	30.00	32.50
250514WR054	14	32.50	35.00
250515WR054	15	35.00	37.50
250516WR054	16	37.50	40.00
250517WR054	17	40.00	42.50
250518WR054	18	42.50	45.00
250519WR054	19	45.00	47.50
250520WR054	20	47.50	50.00

NOTE:

1. Wafer Material: Nylon 66 UL94V-2
Pin/Pos Material: brass bronze.
2. Plated: Tin-plated 50u"min.
3. Insulation resistance: 1000M Ω min.
4. Withstand voltage: 800V AC/minute.
5. Current rating: 3A AC/DC.
6. Voltage rating: 250V AC/DC

UNLESS OTHERWISE SPECIFIED TOLERANCES			
3 PLACE ±0.5 ±0.10			
2 PLACE ±1.5 ±0.35			
1 PLACE ±2.0 ±0.50			
ANGLE DIM			
REV.	REVISION		DIS DATE
SCALE	REV.	PAGE:	UNIT M M
4/1	A	1	THIRD ANGLE PROJECTION

EXCON

EXCON TECHNOLOGY COMPANY

PART.NO

2505xxWR054