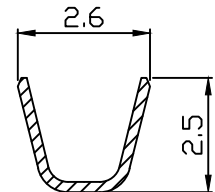
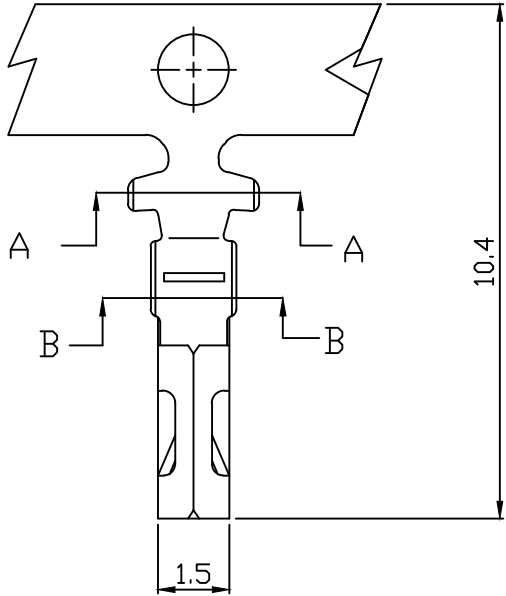
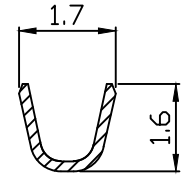
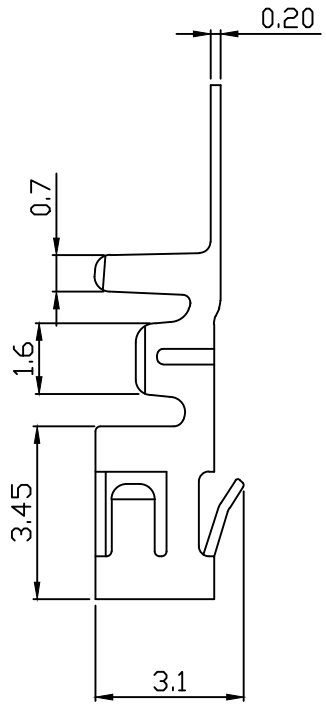


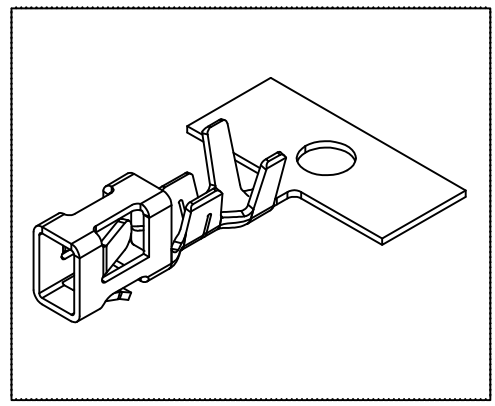
PART NO. 250500TC051
 DWG NO. C2505TC



SEC A-A



SEC B-B



- NOTE 1 :
1. Terminal Material: Brass ,Phosphor
 2. Plated: Ni 25u"min Tin-plated 50u"min.
 3. Applicable wires: #28~#22
 4. Q'ty / reel: 10,000 pcs

Part No.	Material	Finishing
250500TC051	Brass	Tin pre-plated
250500TC351	Phosphor	Tin pre-plated

UNLESS OTHERWISE SPECIFIED TOLERANCES
 3 PLACE ±0.5 ±0.10
 2 PLACE ±1.5 ±0.35
 1 PLACE ±2.0 ±0.50
 ANGLE DIM



REV.	REVISION	DIS	DATE

SCALE	REV.	PAGE	UNIT	mm
4/1	A	1	THIRD ANGLE PROJECTION	

DWG NO:	PART.NO
C2505TC	250500TC051