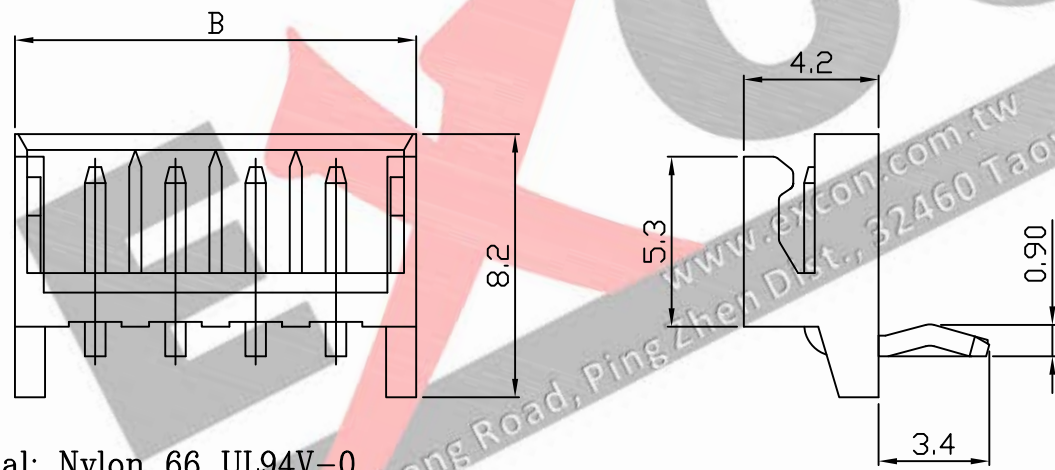
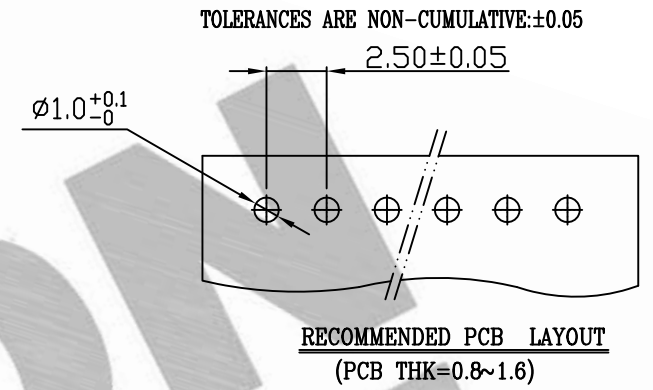
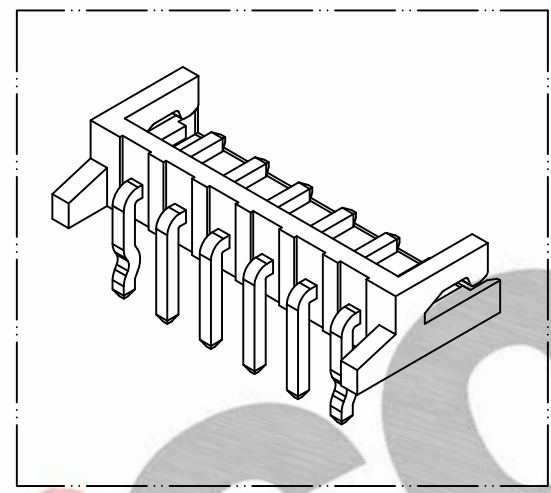
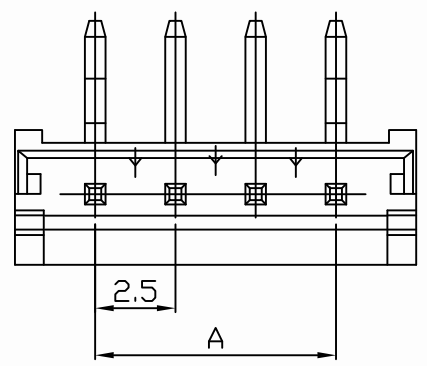


10 9 8 7 6 5 4 3 2 1

PART NO. 2504xxWR001
 DWG NO. C2504WR



Dimensional & Ordering Information:

Part No.	Circuits	Dim A	Dim B
250402WR001	2	2.50	7.50
250403WR001	3	5.00	10.00
250404WR001	4	7.50	12.50
250405WR001	5	10.00	15.00
250406WR001	6	12.50	17.50
250407WR001	7	15.00	20.00
250408WR001	8	17.50	22.50
250409WR001	9	20.00	25.00
250410WR001	10	22.50	27.50
250411WR001	11	25.00	30.00
250412WR001	12	27.50	32.50
250413WR001	13	30.00	35.00
250414WR001	14	32.50	37.50
250415WR001	15	35.00	40.00

NOTE:

1. Wafer Material: Nylon 66 UL94V-0
Pin/Pos Material: brass bronze.
2. Plated: Tin-plated 50u"min.
3. Insulation resistance: 1000M Ω/min.
4. Withstand voltage: 1000V AC/minute.
5. Current rating: 3A AC/DC.
6. Voltage rating: 250V AC/DC

UNLESS OTHERWISE SPECIFIED TOLERANCES			
3 PLACE ±0.5 ±0.10			
2 PLACE ±1.5 ±0.25			
1 PLACE ±2.0 ±0.50			
ANGLE DIM			
REV.	REVISION		DIS DATE
SCALE	REV.	PAGE:	UNIT mm
4/1	A	1	THIRD ANGLE PROJECTION

DWG NO: C2504WR

EXCON

EXCON TECHNOLOGY COMPANY

PART.NO
2504xxWR001

10 9 8 7 6 5 4 3 2 1