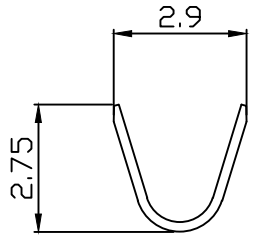
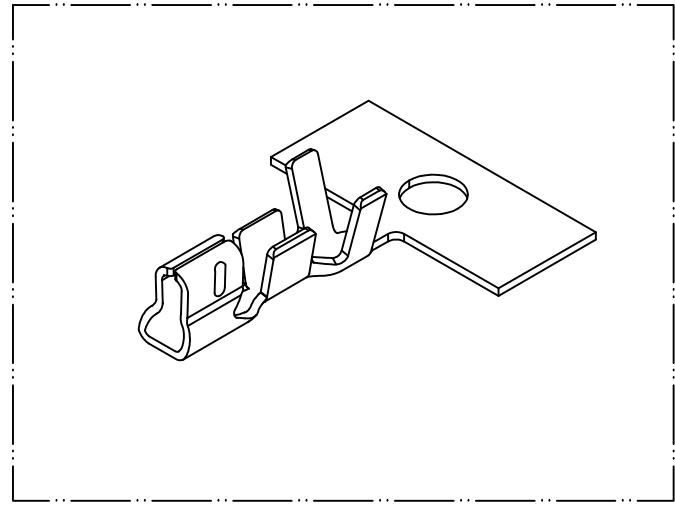
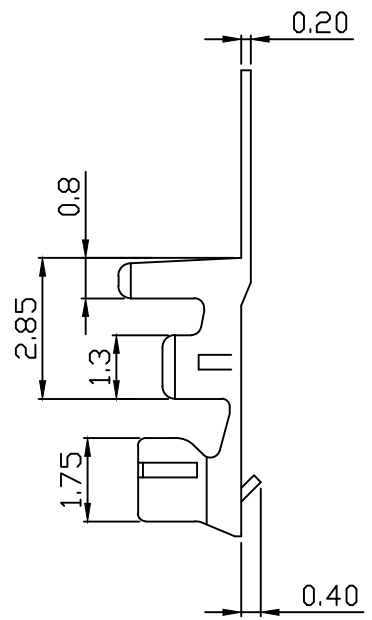
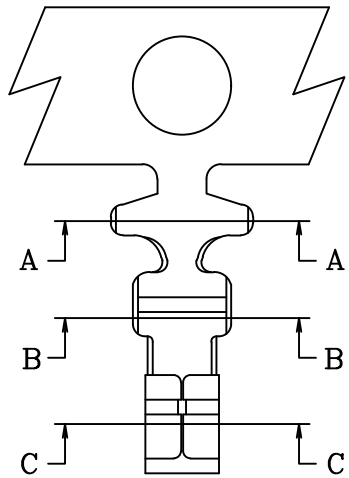
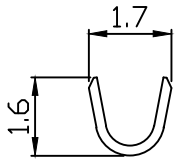


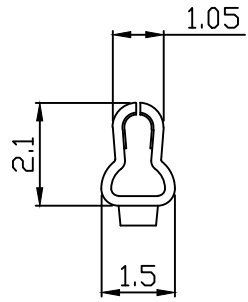
PART NO. 250400TC351
 DWG NO. C2504TC



SEC A-A



SEC B-B



SEC C-C

NOTE:

1. Terminal Material: phosphor bronze.
2. Plated: Tin-plated 50u"min.
3. Applicable wires: AWG#28-#22
4. Insulation O.D.: 1.2-1.8mm
5. Q'ty / reel: 10,000 pcs

				UNLESS OTHERWISE SPECIFIED TOLERANCES		EXCON EXCON TECHNOLOGY COMPANY
				3 PLACE ±0.5 ±0.10		
				2 PLACE ±1.5 ±0.25		PART.NO
				1 PLACE ±2.0 ±0.50		
				ANGLE DIM		250400TC351
REV.	REVISIONI		DIS	DATE	DWG NO:	
SCALE	REV.	PAGE:	UNIT	m m	C2504TC	
8/1	A	1	THIRD ANGLE PROJECTION			