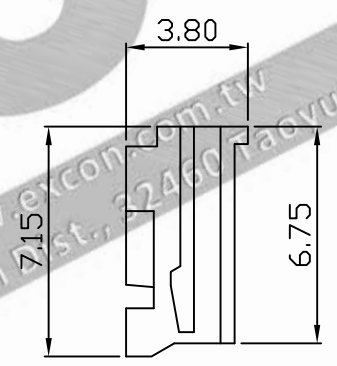
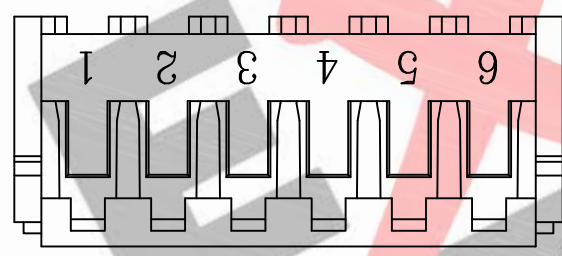
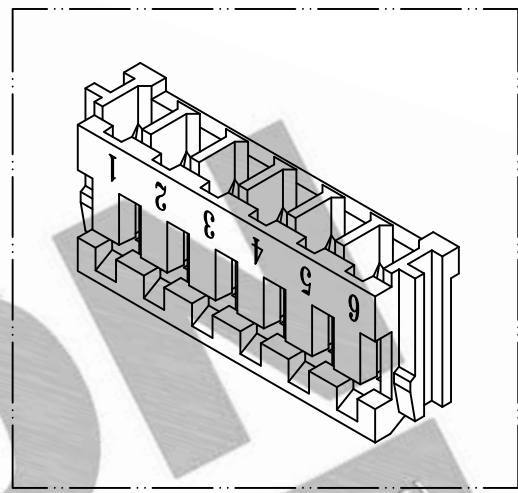
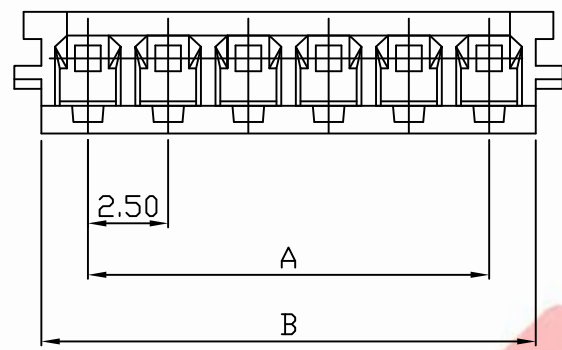


PART NO. 2504xxHA001
 DWG NO. C2504HA



Dimensional & Ordering Information:

Part No.	Circuits	Dim A	Dim B
250402HA001	2	2.50	5.40
250403HA001	3	5.00	7.90
250404HA001	4	7.50	10.40
250405HA001	5	10.00	12.90
250406HA001	6	12.50	15.40
250407HA001	7	15.00	17.90
250408HA001	8	17.50	20.40
250409HA001	9	20.00	22.90
250410HA001	10	22.50	25.40
250411HA001	11	25.00	27.90
250412HA001	12	27.50	30.40
250413HA001	13	30.00	32.90
250414HA001	14	32.50	35.40
250415HA001	15	35.00	37.90

NOTE:

1. Housing Material: Nylon 66 UL94V-0
2. Insulation resistance: 1000M Ω /min.
3. Withstand voltage: 1000V AC/minute.
4. Current rating: 3A AC/DC.
5. Voltage rating: 250V AC/DC

UNLESS OTHERWISE SPECIFIED TOLERANCES			
3 PLACE ± 0.5 ± 0.10			
2 PLACE ± 1.5 ± 0.25			
1 PLACE ± 2.0 ± 0.50			
ANGLE DIM			
REV.	REVISION		DIS DATE
SCALE	REV.	PAGE:	UNIT mm
4/1	A	1	THIRD ANGLE PROJECTION

EXCON
 EXCON TECHNOLOGY COMPANY

PART.NO
 2504xxHA001