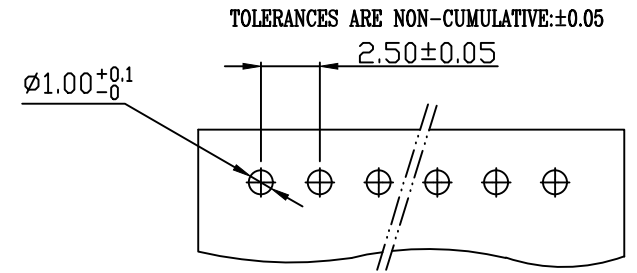
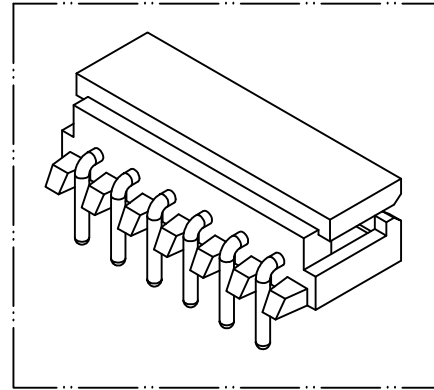
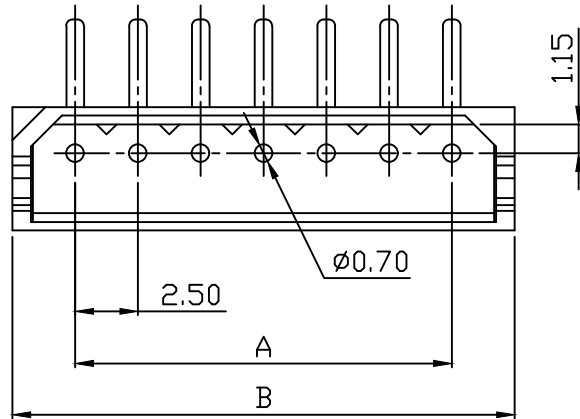
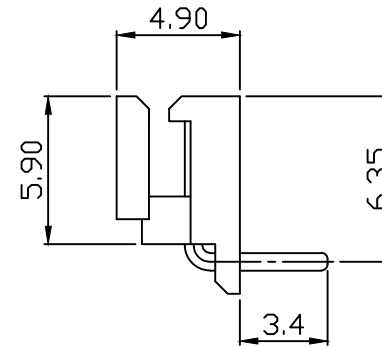
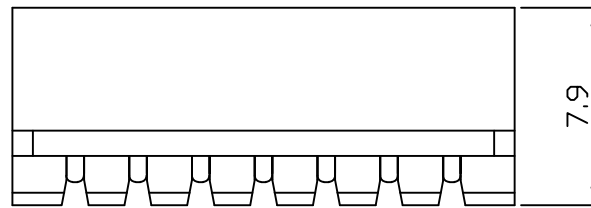


PART NO. 2503xxWR054
 DWG NO. C2503WR



RECOMMENDED PCB LAYOUT
 (PCB THK=1.0~1.6)



Part No.	Circuits	Dim A	Dim B
250302WR054	2	2.50	7.50
250303WR054	3	5.00	10.00
250304WR054	4	7.50	12.50
250305WR054	5	10.00	15.00
250306WR054	6	12.50	17.50
250307WR054	7	15.00	20.00
250308WR054	8	17.50	22.50
250309WR054	9	20.00	25.00
250310WR054	10	22.50	27.50
250311WR054	11	25.00	30.00
250312WR054	12	27.50	32.50
250313WR054	13	30.00	35.00
250314WR054	14	32.50	37.50
250315WR054	15	35.00	40.00
250316WR054	16	37.50	42.50
250317WR054	17	40.00	45.00
250318WR054	18	42.50	47.50
250320WR054	20	47.50	52.50

NOTE:

1. Wafer Material: Nylon 66
Pin/Pos Material: brass bronze.
2. Plated: Tin-plated 50u"min.
3. Insulation resistance: 1000MΩ/min.
4. Withstand voltage: 1000V AC/minute.
5. Current rating: 3A AC/DC.
6. Voltage rating: 250V AC/DC
7. Color: Beige

				UNLESS OTHERWISE SPECIFIED TOLERANCES	
				3 PLACE ±0.5 ±0.10	
				2 PLACE ±1.5 ±0.25	
				1 PLACE ±2.0 ±0.50	
				ANGLE DIM	
REV.	REVISION		DIS	DATE	
SCALE	REV.	PAGE:	UNIT	mm	
5/1	A	1	THIRD ANGLE PROJECTION		
				DWG NO:	
				C2503WR	

EXCON

EXCON TECHNOLOGY COMPANY

PART.NO

2503xxWR054