

10

9

8

7

6

5

4

3

2

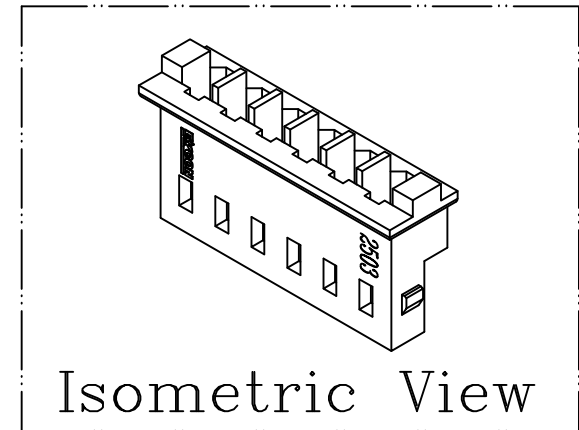
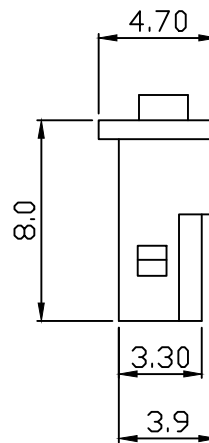
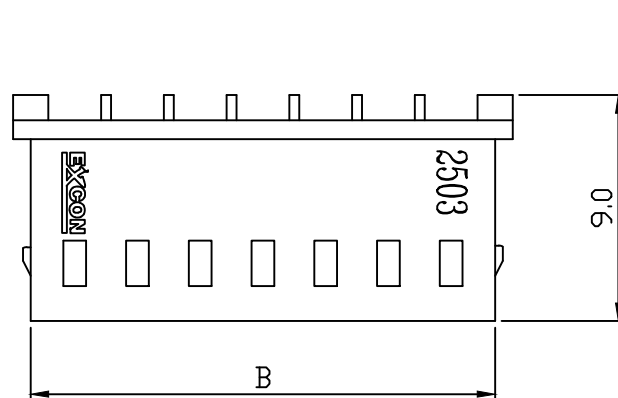
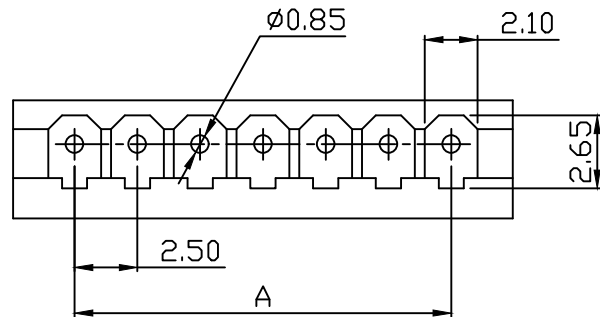
1

PART NO.

2503xxHA054

DWG NO.

C2503HA



Dimensional & Ordering Information:

Part No.	Circuits	Dim A	Dim B
250302HA054	2	2.50	5.80
250303HA054	3	5.00	8.30
250304HA054	4	7.50	10.80
250305HA054	5	10.00	13.30
250306HA054	6	12.50	15.80
250307HA054	7	15.00	18.30
250308HA054	8	17.50	20.80
250309HA054	9	20.00	23.30
250310HA054	10	22.50	25.80
250311HA054	11	25.00	28.30
250312HA054	12	27.50	30.80
250313HA054	13	30.00	33.30
250314HA054	14	32.50	35.80
250315HA054	15	35.00	38.30
250316HA054	16	37.50	40.80
250317HA054	17	40.00	43.30
250318HA054	18	42.50	45.80
250320HA054	20	47.50	50.80

NOTE:

1. Wafer Material: Nylon 66,UL 94V2
2. Insulation resistance: 1000MΩ/min.
- △ 3. Withstand voltage: 800V AC/minute.
4. Current rating: 3A AC/DC.
5. Voltage rating: 250V AC/DC
- △ 6. Color: Beige

REV.	REVISIONI		DIS	DATE
SCALE	REV.	PAGE:	UNIT	mm
5/1	B	1/1	THIRD ANGLE PROJECTION	

UNLESS OTHERWISE
SPECIFIED TOLERANCES
3 PLACE ±0.5 ±0.10
2 PLACE ±1.5 ±0.25
1 PLACE ±2.0 ±0.50
ANGLE DIM

EXCON
EXCON TECHNOLOGY COMPANY

SCALE	REV.	PAGE:	UNIT	mm	DWG NO:	PART.NO
5/1	B	1/1	THIRD ANGLE PROJECTION		C2503HA	2503xxHA054

10

9

8

7

6

5

4

3

2

1