

10

9

8

7

6

5

4

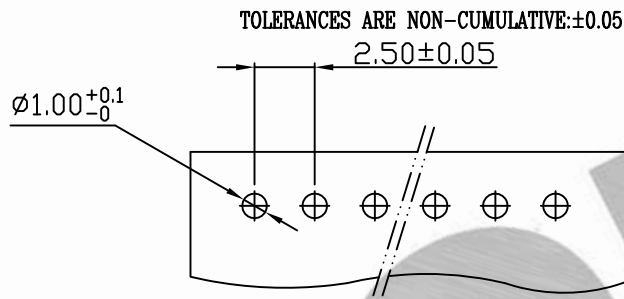
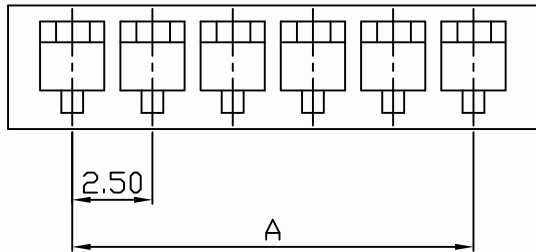
3

2

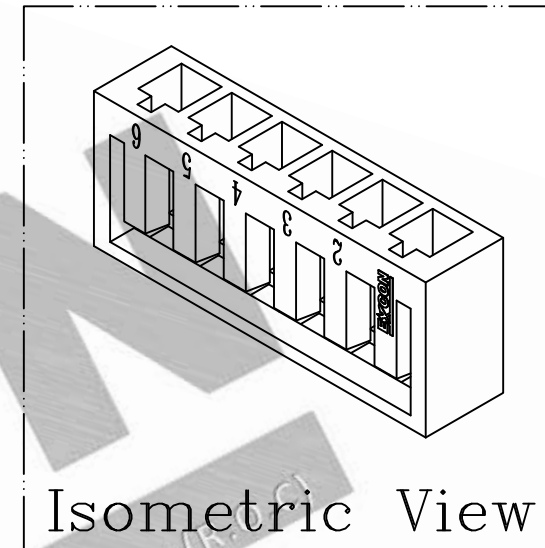
1

PART NO. 2502xxHA001

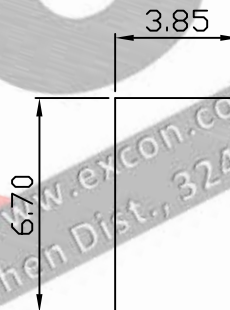
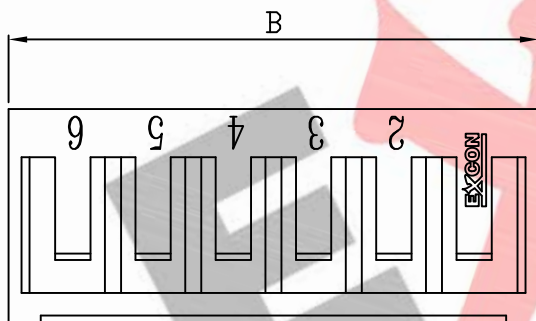
DWG NO. C2502HA



RECOMMENDED PCB LAYOUT  
(PCB THK=1.0~1.6)



Isometric View



Dimensional & Ordering Information:

Part No.	Circuits	Dim A	Dim B
250202HA001	2	2.50	6.50
250203HA001	3	5.00	9.00
250204HA001	4	7.50	11.50
250205HA001	5	10.00	14.00
250206HA001	6	12.50	16.50
250207HA001	7	15.00	19.00
250208HA001	8	17.50	21.50
250209HA001	9	20.00	24.00
250210HA001	10	22.50	26.50
250211HA001	11	25.00	29.00
250212HA001	12	27.50	31.50
250213HA001	13	30.00	34.00
250214HA001	14	32.50	36.50
250215HA001	15	35.00	39.00
250216HA001	16	37.50	41.50

NOTE:

- Housing Material: Nylon 66 UL94V-0
- Current rating: 3A AC/DC.
- Voltage rating: 250V AC/DC
- Insulation resistance: 1000M  $\Omega$ /min.
- Withstand voltage: 1000V AC/minute.
- Color: Natural

B		DWG RELEASE		Christy 8/8 2016	
REV.	REVISION			DIS	DATE
SCALE	REV.	PAGE:	UNIT mm		DWG NO:
5/1	B	1/1	THIRD ANGLE PROJECTION		C2502HA

UNLESS OTHERWISE SPECIFIED TOLERANCES  
 3 PLACE  $\pm 0.5 \pm 0.10$   
 2 PLACE  $\pm 1.5 \pm 0.25$   
 1 PLACE  $\pm 2.0 \pm 0.50$   
 ANGLE DIM

**EXCON**  
 EXCON TECHNOLOGY COMPANY

SCALE			UNIT mm		DWG NO:	PART.NO
5/1	B	1/1	THIRD ANGLE PROJECTION		C2502HA	2502xxHA001

10

9

8

7

6

5

4

3

2

1